

CAST-IN COLLARS

Allproof Cast In Fire Collars are designed to reduce the labour content of passive fire rating plumbing pipe penetrations on concrete floors that are poured on site. Simply fix the base to the formwork on site and the plumbing pipe penetration is located complete with passive fire protection. This eliminates the need for core drilling of penetrations after the floor is poured and retro fitting a fire collar or wrap. Once the floor is poured and formwork stripped, simply cut off the top of the Cast In Collar and install pipe.

SUITABLE FOR FITTING WITHIN:

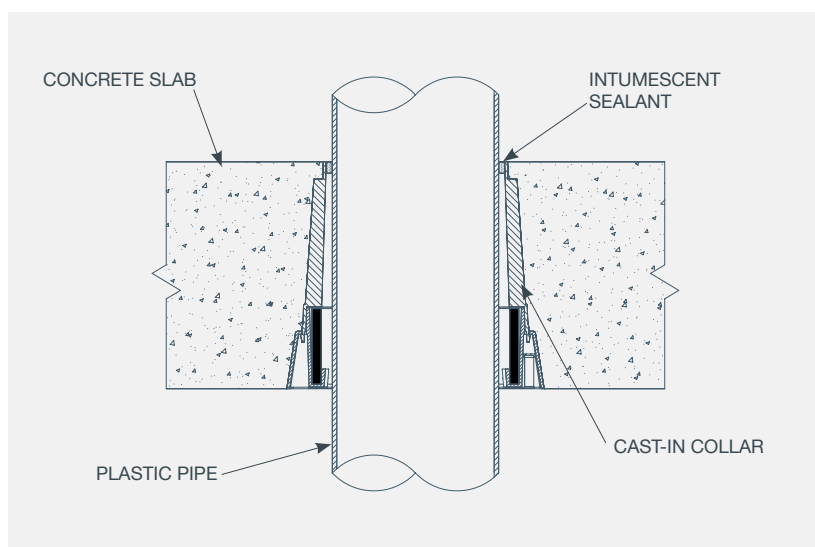
- Solid Masonry Floors

FEATURES:

- 250mm overall height
- Sturdy construction for casting in
- Multiple fixing positions
- Made from recycled PP



INSTALLATION DETAILS:



INSTALLATION INSTRUCTIONS:

1. Fix to formwork in correct location.
2. Pour concrete floor.
3. Remove formwork ensuring galvanised steel ring is exposed.
4. Cut plastic collar to desired height.
5. Install pipework.
6. Seal gap between pipe and collar on top side of floor with intumescent sealant.
7. Allproof recommends any thermal or acoustic lagging maintains a 50mm separation to the fire collar.

CAST IN COLLAR TEST RESULTS:

NOMINAL PIPE SIZE (MM)	SLAB DEPTH (MM)	NOMINAL PIPE WALL THICKNESS (MM)	PRODUCT	FLOOR FRL	FTC#
PVC PLASTIC PIPE					
40	120	2.0	CIFC50S	-/180/180	692
50	120	2.2	CIFC50S	-/240/180	692
65	120	2.7	CIFC80S	-/240/180	692
80	120	2.9	CIFC80S	-/240/180	692
100	120	3.2	CIFC100S	-/180/180	739
150	120	4.5	CIFC150S	-/180/120	45052500.2
HDPE PLASTIC PIPE					
40	120	3.0	CIFC50S	-/240/180	692
50	120	3.0	CIFC50S	-/120/120	11057
56	120	3.0	CIFC50S	-/120/120	11057
63	120	3.0	CIFC80S	-/120/120	11057
75	120	3.0	CIFC80S	-/120/120	11057
90	120	3.5	CIFC100S	-/120/120	11057
100	120	4.3	CIFC100S	-/120/120	698
PP-R PLASTIC PIPE (SDR 7.4)					
40	120	5.5	CIFC50S	-/240/120	692
110	120	15.1	CIFC100S	-/180/180	692
RAUPIANO PP-MD					
40	120	1.8	CIFC50S	-/240/180	692
50	120	1.8	CIFC50S	-/120/120	727
75	120	1.9	CIFC80S	-/120/120	727
110	120	2.7	CIFC100S	-/240/180	692
D-BLUE PP-MD					
40	120	1.8	CIFC50S	-/120/120	726
50	120	1.8	CIFC50S	-/240/180	692
75	120	2.3	CIFC80S	-/120/120	726
90	120	2.8	CIFC100S	-/120/120	726
110	120	3.4	CIFC100S	-/240/180	692