

FireLock® Butterfly Valve

Series 705 with Weatherproof Actuator



1.0 PRODUCT DESCRIPTION

- Available Sizes: 2 – 12”/50 – 300 mm
- cULus Listed, LPCB Listed, FM and VdS Approved for service up to 300 psi/2068 kPa /20 bar.
- Designed for fire protection services only.
- Features a weatherproof actuator housing Approved for indoor and outdoor use.
- Actuation options: Hand wheel (2 – 12”/50 – 300 mm)
- Exclusively for use with pipe and Victaulic products which feature ends formed with the Victaulic Original Groove System (OGS) groove profile (see section 7.0 for Reference Materials).

2.0 CERTIFICATION/LISTINGS



ALWAYS REFER TO ANY NOTIFICATIONS AT THE END OF THIS DOCUMENT REGARDING PRODUCT INSTALLATION, MAINTENANCE OR SUPPORT.

System No.		Location	
Submitted By		Date	

Spec Section		Paragraph	
Approved		Date	

2.1 CERTIFICATION/LISTINGS

Size	Approval/Listing Service Pressures			
	Series 705 Butterfly Valve			
	cULus	FM	Vds	LPCB
2 50	up to 300psi/2068kPa	up to 300psi/2068kPa	up to 300psi/2068kPa	up to 300psi/2068kPa
2½ 65	up to 300psi/2068kPa	up to 300psi/2068kPa	n/a	up to 300psi/2068kPa
76.1 mm	up to 300psi/2068kPa	up to 300psi/2068kPa	up to 300psi/2068kPa	up to 300psi/2068kPa
3 80	up to 300psi/2068kPa	up to 300psi/2068kPa	up to 300psi/2068kPa	up to 300psi/2068kPa
4 100	up to 300psi/2068kPa	up to 300psi/2068kPa	up to 300psi/2068kPa	up to 300psi/2068kPa
5 125	up to 300psi/2068kPa	up to 300psi/2068kPa	n/a	up to 300psi/2068kPa
139.7 mm	up to 300psi/2068kPa	up to 300psi/2068kPa	up to 300psi/2068kPa	up to 300psi/2068kPa
6 150	up to 300psi/2068kPa	up to 300psi/2068kPa	up to 300psi/2068kPa	up to 300psi/2068kPa
165.1 mm	up to 300psi/2068kPa	up to 300psi/2068kPa	n/a	up to 300psi/2068kPa
8 200	up to 300psi/2068kPa	up to 300psi/2068kPa	up to 300psi/2068kPa	up to 300psi/2068kPa
10 250	up to 300psi/2068kPa	up to 300psi/2068kPa	n/a	up to 300psi/2068kPa
12 300	up to 300psi/2068kPa	up to 300psi/2068kPa	n/a	up to 300psi/2068kPa

3.0 SPECIFICATIONS – MATERIAL

Body: Ductile Iron conforming to ASTM A-536, Grade 65-45-12

End Face, 2 – 6”/50 – 150 mm: Ductile Iron conforming to ASTM A-536, Grade 65-45-12

Seal Retainer, 8 – 12”/200 – 300 mm: Ductile Iron conforming to ASTM A-536, Grade 65-45-12

Body Coating: Black alkyd enamel

Disc: Ductile Iron conforming to ASTM A-536, Grade 65-45-12, with electroless nickel coating conforming to ASTM B-733

Seat: Grade “E” EPDM

Stems: 416 stainless steel conforming to ASTM A-582

Stem Seal Cartridge: C36000 brass

Bearings: Stainless steel with TFE lining

Stem Seals: EPDM

Stem Retaining Ring: Carbon steel

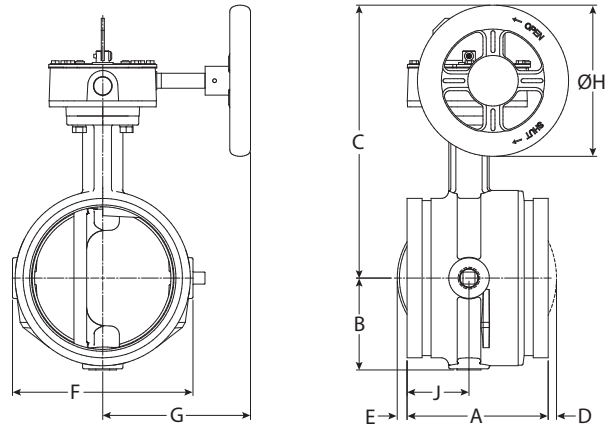
Actuator:

2 – 8”/50 – 200mm: Brass or bronze traveling nut on a steel lead screw, in a ductile iron housing

10 – 12”/250 – 300mm: Steel worm and cast iron quadrant gear, in a cast iron housing

4.0 DIMENSIONS

Series 705



Size		Dimensions								
Nominal inches mm	Actual Outside Diameter inches mm	E to E A inches mm	B inches mm	C inches mm	D inches mm	E inches mm	F inches mm	G inches mm	DIA H inches mm	J inches mm
2 60.3	2.375 60.3	4.25 108.0	2.28 57.9	6.41 162.8	-	-	4.00 101.6	4.22 107.2	4.50 114.3	2.12 53.8
2½ 73	2.875 73.0	3.77 95.8	2.28 57.9	7.54 191.5	-	-	4.00 101.6	4.22 107.2	4.50 114.3	1.77 45.0
76.1 mm	3.000 76.1	3.77 95.8	2.28 57.9	7.54 191.5	-	-	4.00 101.6	4.22 107.2	4.50 114.3	1.77 45.0
3 88.9	3.500 88.9	3.77 95.8	2.53 64.3	7.79 197.9	-	-	4.50 114.3	4.22 107.2	4.50 114.3	1.77 45.0
108 mm	4.250 108.0	4.63 117.6	2.88 73.2	8.81 223.8	-	-	5.50 139.7	4.22 107.2	4.50 114.3	2.20 55.9
4 114.3	4.500 114.3	4.63 117.6	2.88 73.2	8.81 223.8	-	-	5.50 139.7	4.22 107.2	4.50 114.3	2.20 55.9
133 mm	5.250 133.0	5.88 149.4	3.35 85.1	10.88 276.4	-	-	6.56 166.6	6.19 157.2	6.30 160.0	2.58 65.5
139.7 mm	5.500 139.7	5.88 149.4	3.35 85.1	10.88 276.4	-	-	6.56 166.6	6.19 157.2	6.30 160.0	2.58 65.6
5 141.3	5.563 141.3	5.88 149.4	3.35 85.1	10.88 276.4	-	-	6.56 166.6	6.19 157.2	6.30 160.0	2.58 65.5
159 mm	6.250 159.0	5.88 149.4	3.84 97.5	11.38 289.1	-	0.41 10.4	7.52 191.0	6.19 157.2	6.30 160.0	2.58 65.5
165.1 mm	6.500 165.1	5.88 149.4	3.84 97.5	11.38 289.1	-	0.41 10.4	7.52 191.0	6.19 157.2	6.30 160.0	2.58 65.5
6 168.3	6.625 168.3	5.88 149.4	3.84 97.5	11.38 289.1	-	0.41 10.4	7.52 191.0	6.19 157.2	6.30 160.0	1.90 48.3
8 219.1	8.625 219.1	5.33 135.4	5.07 128.8	13.53 343.6	0.80 20.3	1.47 37.3	10.00 254.0	6.19 157.2	8.10 205.7	2.33 59.2
10 273	10.750 273.0	6.40 162.6	6.37 161.8	15.64 397.3	1.41 35.8	1.81 46.0	12.25 311.2	8.10 205.7	9.00 228.6	-
12 323.9	12.750 323.9	6.50 165.1	7.36 186.9	16.64 422.7	2.30 58.4	2.80 71.1	14.25 362.0	8.10 205.7	9.00 228.6	-

NOTE

- Optional ½"/15 mm tap available. Contact Victaulic for details.

5.0 PERFORMANCE

Series 705

The chart expresses the frictional resistance of Victaulic Series 705 Butterfly Valve in equivalent feet/meters of straight pipe.

Nominal Size mm inches	Outside Diameter mm inches	Equivalent
		Feet/m of pipe
2 50	2.375 60.3	6 1.8
2½ 65	2.875 73.0	6 1.8
76.1 mm	3.000 76.1	6 1.8
3 80	3.500 88.9	7 2.1
4 100	4.500 114.3	8 2.4
108 mm	108 mm	8 2.4
5 125	5.563 141.3	12 3.7
133 mm	133 mm	12 3.7
139.7 mm	5.500 139.7	12 3.7
6 150	6.625 168.3	14 4.2
159 mm	159 mm	14 4.3
165.1 mm	6.500 165.1	14 4.2
8 200	8.625 219.1	16 4.9
10 250	10.750 273.0	18 5.5
12 300	12.750 323.9	19 5.8

5.1 PERFORMANCE

Series 705

C_v values for flow of water at +60°F/+16°C through a fully open valve are shown in the table below. For additional details, contact Victaulic.

Formulas for C_v values

$$\Delta P = \frac{Q^2}{C_v^2}$$

$$Q = C_v \times \sqrt{\Delta P}$$

Where:

Q = Flow (GPM)
 ΔP = Pressure Drop (psi)
 C_v = Flow Coefficient

Formulas for K_v values

$$\Delta P = \frac{Q^2}{K_v^2}$$

$$Q = K_v \times \sqrt{\Delta P}$$

Where:

Q = Flow (m³/hr)
 ΔP = Pressure Drop (Bar)
 K_v = Flow Coefficient

Valve Size		Full Open
Nominal Size inches mm	Actual Outside Diameter inches mm	Flow Coefficient C_v
2 50	2.375 60.3	170
2½ 65	2.875 73.0	260
76.1 mm	3.000 76.1	260
3 80	3.500 88.9	440
4 100	4.500 114.3	820
108 mm	108 mm	820
5 125	5.563 141.3	1200
133 mm	133 mm	1200
139.7 mm	5.500 139.7	1200
6 150	6.625 168.3	1800
159 mm	159 mm	1800
165.1 mm	6.500 165.1	1800
8 200	8.625 219.1	3400
10 250	10.750 273.0	5800
12 300	12.750 323.9	9000

Valve Size		Full Open
Nominal Size inches mm	Actual Outside Diameter inches mm	Flow Coefficient K_v
2 50	2.375 60.3	147
2½ 65	2.875 73.0	225
76.1 mm	3.000 76.1	225
3 80	3.500 88.9	380
4 100	4.500 114.3	710
108 mm	108 mm	710
5 125	5.563 141.3	1040
133 mm	133 mm	1040
139.7 mm	5.500 139.7	1040
6 150	6.625 168.3	1560
159 mm	159 mm	1560
165.1 mm	6.500 165.1	1560
8 200	8.625 219.1	2940
10 250	10.750 273.0	5020
12 300	12.750 323.9	7790

6.0 NOTIFICATIONS

WARNING



- Read and understand all instructions before attempting to install, remove, adjust, or maintain any Victaulic piping products.
- Depressurize and drain the piping system before attempting to install, remove, adjust, or maintain any Victaulic piping products.
- Wear safety glasses, hardhat, and foot protection.

Failure to follow these instructions could result in death or serious personal injury and property damage.

7.0 REFERENCE MATERIALS

Switch and Wiring

1. The supervisory switch contains two single pole, double throw, pre-wired switches.
2. Switches are rated:
 - 10 amps @ 125 or 250 VAC/60 Hz
 - 0.50 amps @ 125 VDC
 - 0.25 amps @ 250 VDC
3. Switches supervise the valve in the “OPEN” position.
5. One switch has two #18 insulated wires per terminal, which permit complete supervision of leads (refer to diagrams and notes below). The second switch has one #18 insulated wire per terminal. This double circuit provides flexibility to operate two electrical devices at separate locations, such as an indicating light and an audible alarm, in the area that the valve is installed.
6. A #14 insulated ground lead (green) is provided.

Switch #1 = S1

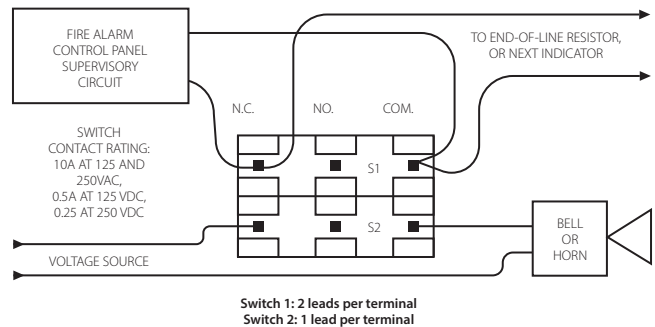
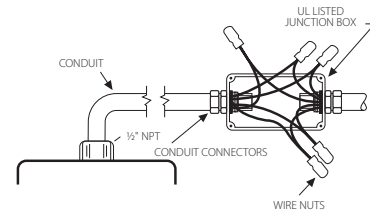
For connection to the supervisory circuit of a UL Listed alarm control panel

Switch #2 = S2

Auxiliary switch that may be connected to auxiliary devices, per the authority having jurisdiction

S1 { Normally Closed: (2) Blue
Common: (2) Yellow

S2 { Normally Closed: Blue with Orange Stripe
Normally Open: Brown with Orange Stripe
Common: Yellow with Orange Stripe



NOTES

- The above diagram shows a connection between the common terminal (yellow – S1 and yellow-with-orange stripe – S2) and the normally closed terminal (blue – S1 and blue-with-orange stripe – S2). In this example, the indicator light and alarm will stay on until the valve is fully open. When the valve is fully open, the indicator light and alarm will go out. Cap off any unused wires (e.g. brown with orange stripe).
- Only S1 (two leads per terminal) may be connected to the fire alarm control panel.
- The connection of the alarm switch wiring shall be in accordance with NFPA 72 and the auxiliary switch per NFPA 70 (NEC).

7.1 REFERENCE MATERIALS

[10.01: Regulatory Approval Reference Guide](#)

[29.01: Terms and Conditions/Warranty](#)

[I-100: Field Installation Handbook](#)

User Responsibility for Product Selection and Suitability

Each user bears final responsibility for making a determination as to the suitability of Victaulic products for a particular end-use application, in accordance with industry standards and project specifications, and the applicable building codes and related regulations as well as Victaulic performance, maintenance, safety, and warning instructions. Nothing in this or any other document, nor any verbal recommendation, advice, or opinion from any Victaulic employee, shall be deemed to alter, vary, supersede, or waive any provision of Victaulic Company's standard conditions of sale, installation guide, or this disclaimer.

Intellectual Property Rights

No statement contained herein concerning a possible or suggested use of any material, product, service, or design is intended, or should be construed, to grant any license under any patent or other intellectual property right of Victaulic or any of its subsidiaries or affiliates covering such use or design, or as a recommendation for the use of such material, product, service, or design in the infringement of any patent or other intellectual property right. The terms "Patented" or "Patent Pending" refer to design or utility patents or patent applications for articles and/or methods of use in the United States and/or other countries.

Note

This product shall be manufactured by Victaulic or to Victaulic specifications. All products to be installed in accordance with current Victaulic installation/assembly instructions. Victaulic reserves the right to change product specifications, designs and standard equipment without notice and without incurring obligations.

Installation

Reference should always be made to the Victaulic installation handbook or installation instructions of the product you are installing. Handbooks are included with each shipment of Victaulic products, providing complete installation and assembly data, and are available in PDF format on our website at www.victaulic.com.

Warranty

Refer to the Warranty section of the current Price List or contact Victaulic for details.

Trademarks

Victaulic and all other Victaulic marks are the trademarks or registered trademarks of Victaulic Company, and/or its affiliated entities, in the U.S. and/or other countries.