

Gate Valves



- SERIES 771H OS&Y GROOVE x GROOVE
- SERIES 772H NRS GROOVE x GROOVE
- SERIES 771F OS&Y GROOVE x FLANGE
- SERIES 772F NRS GROOVE x FLANGE
- SERIES 773 WALL POST INDICATOR
- SERIES 774 UPRIGHT POST INDICATOR

- Series 771H Outside Stem and Yoke (OS&Y), Series 772H Non-Rising Stem (NRS) Groove x Groove, Series 771F OS&Y and Series 772F NRS Groove x Flange are available in: 2½ – 10”/65 – 250 mm sizes, cULus listed and FM approved for service up to 250 psi/1725 kPa.
- Series 771H Outside Stem and Yoke (OS&Y), Series 772H Non-Rising Stem (NRS) Groove x Groove, Series 771F OS&Y and Series 772F NRS Groove x Flange are available in: 12 – 16”/300 – 400mm sizes, cULus listed for service up to 250 psi/1725 kPa.

The Series 771H OS&Y and Series 771F OS&Y gate valves are used when positive shut off is required and a quick visual indicator of open/closed position is required. The Series 772H NRS and Series 772F NRS gate valves are typically used for shut-off service where the valve is operated remotely, such as when the valve is behind a wall or buried. Series 772H NRS and Series 772F NRS gate valves are offered with optional wall (Series 773) or upright (Series 774) post indicators.



SERIES 771H



SERIES 772H



SERIES 774



SERIES 771F



SERIES 772F



SERIES 773

MATERIAL SPECIFICATIONS

Series 771 OS & Y and 772 NRS Gate Valves

Body: Ductile iron conforming to ASTM A-536 grade 65-45-12

Body Gasket: EPDM

Body Bolts: Plated Steel w/ Plastic Covers

Handwheel:

OS & Y Yoke (Series 771 only): Ductile iron conforming to ASTM A-536 grade 65-45-12

Bonnet: Ductile iron conforming to ASTM A536 grade 65-45-12

Bonnet/Body Coating: Fusion bonded Epoxy coating

Gate: Cast iron, EPDM coated

Gate Nut: Bronze, conforming to ASTM B62

Stem: Brass, ASTM B16

Continued on page 2.

JOB/OWNER

System No. _____

Location _____

CONTRACTOR

Submitted By _____

Date _____

ENGINEER

Spec Sect _____ Para _____

Approved _____

Date _____

Gate Valves

SERIES 771H OS&Y GROOVE x GROOVE
SERIES 772H NRS GROOVE x GROOVE
SERIES 771F OS&Y GROOVE x FLANGE
SERIES 772F NRS GROOVE x FLANGE
SERIES 773 WALL POST INDICATOR
SERIES 774 UPRIGHT POST INDICATOR

MATERIAL SPECIFICATIONS

Continued from page 1

O-Ring Seals: EPDM

Optional:

- **Indicator Post Flange:** Ductile iron conforming to ASTM A-536 grade 65-45-12 available for NRS valves only

Series 773 & 774 Indicators

Target Frame: Bronze conforming to ASTM B62

Window: Polycarbonate

Series 773 Wall Post Indicator:

Body: Cast iron conforming to ASTM A-126-B

Operating Stem: Bronze conforming to ASTM B62

Operating Rod: Carbon steel

Series 774 Upright Indicators:

Body: Cast iron conforming to ASTM A-126-B

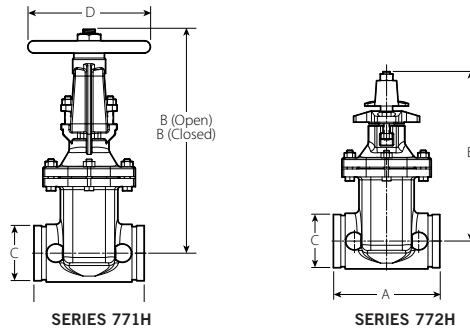
Extension Sleeve: Cast iron conforming to ASTM A-126-B

Gate Valves

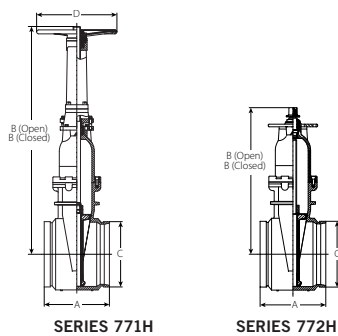
- SERIES 771H OS&Y GROOVE x GROOVE
- SERIES 772H NRS GROOVE x GROOVE
- SERIES 771F OS&Y GROOVE x FLANGE
- SERIES 772F NRS GROOVE x FLANGE
- SERIES 773 WALL POST INDICATOR
- SERIES 774 UPRIGHT POST INDICATOR

DIMENSIONS

Series 771H OS&Y and Series 772H Grooved x Grooved



Size		Dimensions – Inches/mm						Approx. Weight Each Lbs./kg	
Nominal Size Inches mm	Actual Outside Dia. Inches mm	A	Series 771H Height B		Series 772H Height B	C	D	Series 771H	Series 772H
			Closed	Open					
2½ 65	2.88 73.0	7.500 190.5	16.18 411	18.74 476	11.02 280	2.88 73	7.87 200	31.5 14.3	22.05 10
76.1 mm	3.00 76.1	7.500 190.5	16.18 411	19.18 487.1	11.02 280	3.00 76.1	7.87 200	31.5 14.3	22.05 10
3 80	3.50 88.9	7.992 203	17.09 434	20.34 514	12.21 310	3.50 88.9	7.87 200	39.3 17.8	29.77 13.5
4 100	4.50 114.3	9.016 229	18.11 460	22.05 560	13.58 345	4.50 114.3	10.24 260	55.4 25.1	39.69 18
165.1 mm	6.50 165.1	10.512 267	23.90 607	30.40 772.1	17.13 435	6.50 165.1	12.40 315	104.8 47.5	81.13 36.8
6 150	6.63 168.3	10.512 267	23.90 607	29.80 757	17.13 435	6.63 168.3	12.40 250	104.8 47.5	81.13 36.8
8 200	8.63 219.1	11.496 292	28.59 726	36.46 926	20.12 511	8.63 219.1	14.76 375	174.0 78.9	134.49 61
10 250	10.75 273	12.992 330	35.04 890	44.88 1140	24.02 610	10.75 273	16.38 416	262.4 119	194.00 88
12 300	12.75 323.9	14.016 356	40.12 1019	51.93 1319	27.68 703	12.75 323.9	17.52 445	392.9 178.2	310.41 140.8



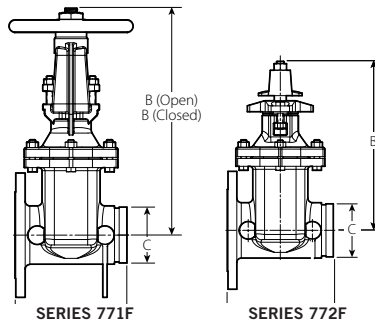
Nominal Size Inches DN	Actual Outside Dia. Inches mm	A	Series 771H Height B		Series 772H Height B	C	D	Series 771H	Series 772H
			Closed	Open					
14 DN350	14.000 355.6	15.00 381	53.00 1346	66.75 1695	32.50 826	14.00 356	19.63 498	586.0 266	492.0 223
16 DN400	16.000 406.4	16.00 406	55.88 1419	71.63 1819	36.00 914	16.00 406	19.63 498	776.0 352	667.0 307

Gate Valves

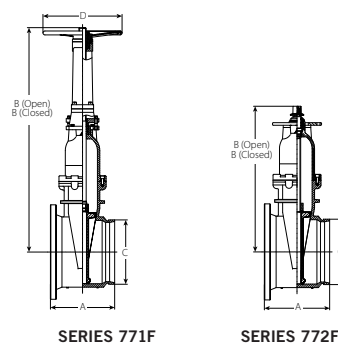
- SERIES 771H OS&Y GROOVE x GROOVE
- SERIES 772H NRS GROOVE x GROOVE
- SERIES 771F OS&Y GROOVE x FLANGE
- SERIES 772F NRS GROOVE x FLANGE
- SERIES 773 WALL POST INDICATOR
- SERIES 774 UPRIGHT POST INDICATOR

DIMENSIONS

Series 771F OS&Y and Series 772F Flanged x Grooved come standard with an ANSI Class 150 flange. Other sizes are available. Contact Victaulic for details.



Size		Dimensions – Inches/mm						Approx. Weight Each Lbs./kg	
Nominal Size Inches	Actual Outside Dia. Inches	A	Series 771F Height B		Series 772F Height B	C	D	Series 771F	Series 772F
mm	mm		Closed	Open					
2 1/2	2.88	7.500	16.18	18.74	11.02	2.88	7.87	38.14	30.43
65	73	190.5	411	476	280	73	200	17.3	13.8
76.1 mm	3.00	7.500	16.18	19.18	11.02	3.00	7.87	38.14	30.43
	76.1	190.5	411	487.1	280	76.1	200	17.3	13.8
3	3.50	7.992	17.09	20.34	12.21	3.50	7.87	48.06	37.48
80	88.9	203	434	514	310	88.9	200	21.8	17
4	4.50	9.016	18.11	22.05	13.58	4.50	10.24	70.55	52.91
100	114.3	229	460	560	345	114.3	260	32	24
165.1 mm	6.50	10.512	23.90	30.40	17.13	6.50	12.40	121.26	94.80
	165.1	267	607	772.1	435	165.1	315	55	43
6	6.63	10.512	23.90	29.80	17.13	6.63	12.40	121.26	94.80
150	168.3	267	607	757	435	168.3	250	55	43
8	8.63	11.496	28.59	36.46	20.12	8.63	14.76	196.22	158.74
200	219.1	292	726	926	511	219.1	375	89	72
10	10.75	12.992	35.04	44.88	24.02	10.75	16.38	310.86	253.54
250	273	330	890	1140	610	273	416	141	115
12	12.75	14.016	40.12	51.93	27.68	12.75	17.52	449.75	376.99
300	323.9	356	1019	1319	703	323.9	445	204	171



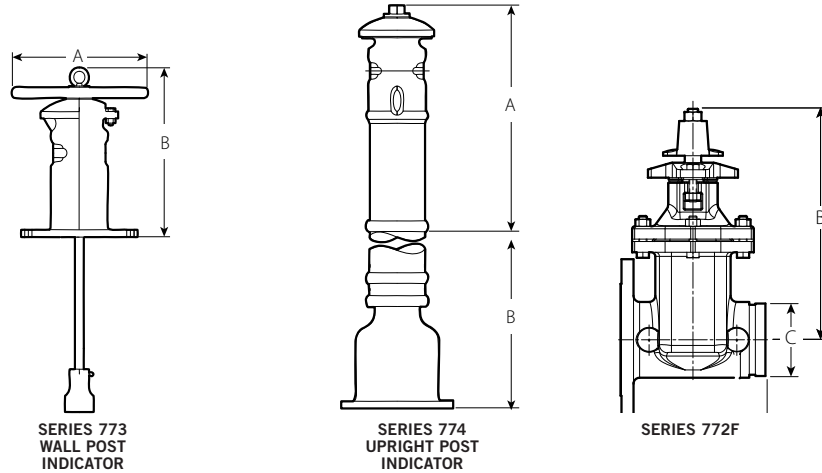
Nominal Size Inches	Actual Outside Dia. Inches	A	Series 771F Height B		Series 772F Height B	C	D	Series 771F	Series 772F
			Closed	Open					
14	14.000	15.00	53.00	66.75	32.50	14.00	19.63	642.0	547.0
DN350	355.6	381	1346	1695	826	356	498	291	248
16	16.000	16.00	55.88	71.63	36.00	16.00	19.63	847.0	747.0
DN400	406.4	406	1419	1819	914	406	498	384	339

Gate Valves

- SERIES 771H OS&Y GROOVE x GROOVE
- SERIES 772H NRS GROOVE x GROOVE
- SERIES 771F OS&Y GROOVE x FLANGE
- SERIES 772F NRS GROOVE x FLANGE
- SERIES 773 WALL POST INDICATOR
- SERIES 774 UPRIGHT POST INDICATOR

DIMENSIONS

Series 773 Wall Post Indicator
 Series 774 Upright Post Indicator



Post Indicator	Dimensions – Inches/millimeters			Approx. Weight Ea.
	A	B-min.	B-max.	Lbs. kg
Series 773 Wall	14.00 356	15.54 394.6	—	127.8 58.0
Series 774 Upright	39.92 1014	21.65 550	61.42 1560	163.0 74.0

Post Indicator – Typical Dimensions (For Upright & Wall) Inches/mm		
Nominal Size Inches mm	C Dimension from Centerline to Top of the Operating Nut	Approximate No. of Turns to Open
2½ 65	11.58 298	9
76.1 mm	11.58 298	9
3 80	12.92 328	10
4 100	14.29 363	13
6 150	17.13 453	16
165.1 mm	17.13 453	16
8 200	20.83 529	17
10 250	24.73 628	21
12 300	28.39 721	26

NOTE: Series 772H and Series 772F NRS Gate Valves must be equipped with a mounting plate if used with the Series 774 Upright Post Indicator. Contact Victaulic for details.

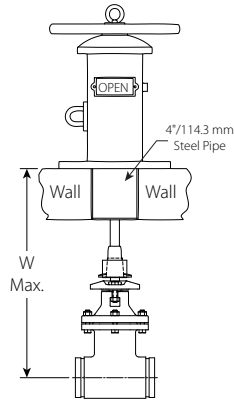
Series 773 and Series 774 Post Indicators are intended for use on NRS valves only.

Gate Valves

- SERIES 771H OS&Y GROOVE x GROOVE
- SERIES 772H NRS GROOVE x GROOVE
- SERIES 771F OS&Y GROOVE x FLANGE
- SERIES 772F NRS GROOVE x FLANGE
- SERIES 773 WALL POST INDICATOR
- SERIES 774 UPRIGHT POST INDICATOR

DIMENSIONS

Series 773 Wall Post Indicator
 Maximum Distance from Exterior Wall
 Surface



Size		Maximum Distance from Exterior of Wall Inches mm
Nomial Size Inches mm	Actual Outside Dia. Inches mm	W Maximum
2½ 65	2.875 73.0	33.0 838
3 80	3.500 88.9	36.9 936
4 100	4.500 114.3	37.3 948
165.1 mm	6.500 165.1	41.3 1048
6 150	6.625 168.3	41.3 1048
8 200	8.625 219.1	44.7 1135
10 250	10.750 273.0	48.6 1235
12 300	12.750 323.9	52.1 1324

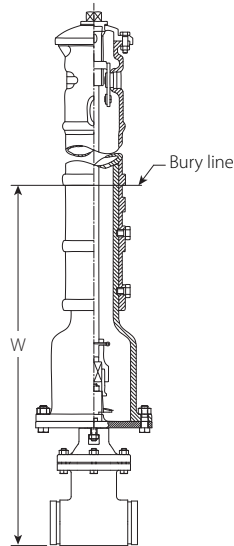
NOTE: Dimensions given are for standard rod length. Greater distances may be achieved. Contact Victaulic for details.

Gate Valves

- SERIES 771H OS&Y GROOVE x GROOVE
- SERIES 772H NRS GROOVE x GROOVE
- SERIES 771F OS&Y GROOVE x FLANGE
- SERIES 772F NRS GROOVE x FLANGE
- SERIES 773 WALL POST INDICATOR
- SERIES 774 UPRIGHT POST INDICATOR

DIMENSIONS

Series 774 Upright Post Indicator
Bury Depth



Size		W Bury Depth Inches mm	
Nominal Size Inches mm	Actual Outside Dia. Inches mm	Minimum	Maximum
2½ 65	2.875 73.0	31.23 793	71 1803
3 80	3.500 88.9	32.57 827	72.34 1837
4 100	4.500 114.3	33.94 862	73.71 1872
165.1 mm	6.500 165.1	36.78 934	76.55 1944
6 150	6.625 168.3	36.78 934	76.55 1944
8 200	8.625 219.1	40.48 1028	80.25 2038
10 250	10.750 273.0	44.38 1127	84.15 2137
12 300	12.750 323.9	48.04 1220	87.81 2230

Gate Valves

SERIES 771H OS&Y GROOVE x GROOVE
 SERIES 772H NRS GROOVE x GROOVE
 SERIES 771F OS&Y GROOVE x FLANGE
 SERIES 772F NRS GROOVE x FLANGE
 SERIES 773 WALL POST INDICATOR
 SERIES 774 UPRIGHT POST INDICATOR


WARRANTY

Refer to the Warranty section of the current Price List or contact Victaulic for details.

NOTE

This product shall be manufactured by Victaulic or to Victaulic specifications. All products to be installed in accordance with current Victaulic installation/assembly instructions. Victaulic reserves the right to change product specifications, designs and standard equipment without notice and without incurring obligations.

⚠ WARNING



- Read and understand all instructions before attempting to install any Victaulic products.
- Always verify that the piping system has been completely depressurized and drained immediately prior to installation, removal, adjustment, or maintenance of any Victaulic products.
- Wear safety glasses, hardhat, and foot protection.

Failure to follow these instructions could result in death or serious personal injury and property damage.

- These products shall be used only in fire protection systems that are designed and installed in accordance with current, applicable National Fire Protection Association (NFPA 13, 13D, 13R, etc.) standards, or equivalent standards, and in accordance with applicable building and fire codes. These standards and codes contain important information regarding protection of systems from freezing temperatures, corrosion, mechanical damage, etc.
- The installer shall understand the use of this product and why it was specified for the particular application.
- The installer shall understand common industry safety standards and potential consequences of improper product installation.
- It is the system designer's responsibility to verify suitability of materials for use with the intended fluid media within the piping system and external environment.
- The material specifier shall evaluate the effect of chemical composition, pH level, operating temperature, chloride level, oxygen level, and flow rate on materials to confirm system life will be acceptable for the intended service.

Failure to follow installation requirements and local and national codes and standards could compromise system integrity or cause system failure, resulting in death or serious personal injury and property damage.

For complete contact information, visit www.victaulic.com

10.92 3003 REV F UPDATED 01/2019

VICTAULIC IS A REGISTERED TRADEMARK OF VICTAULIC COMPANY. © 2019 VICTAULIC COMPANY. ALL RIGHTS RESERVED.

10.92_8