


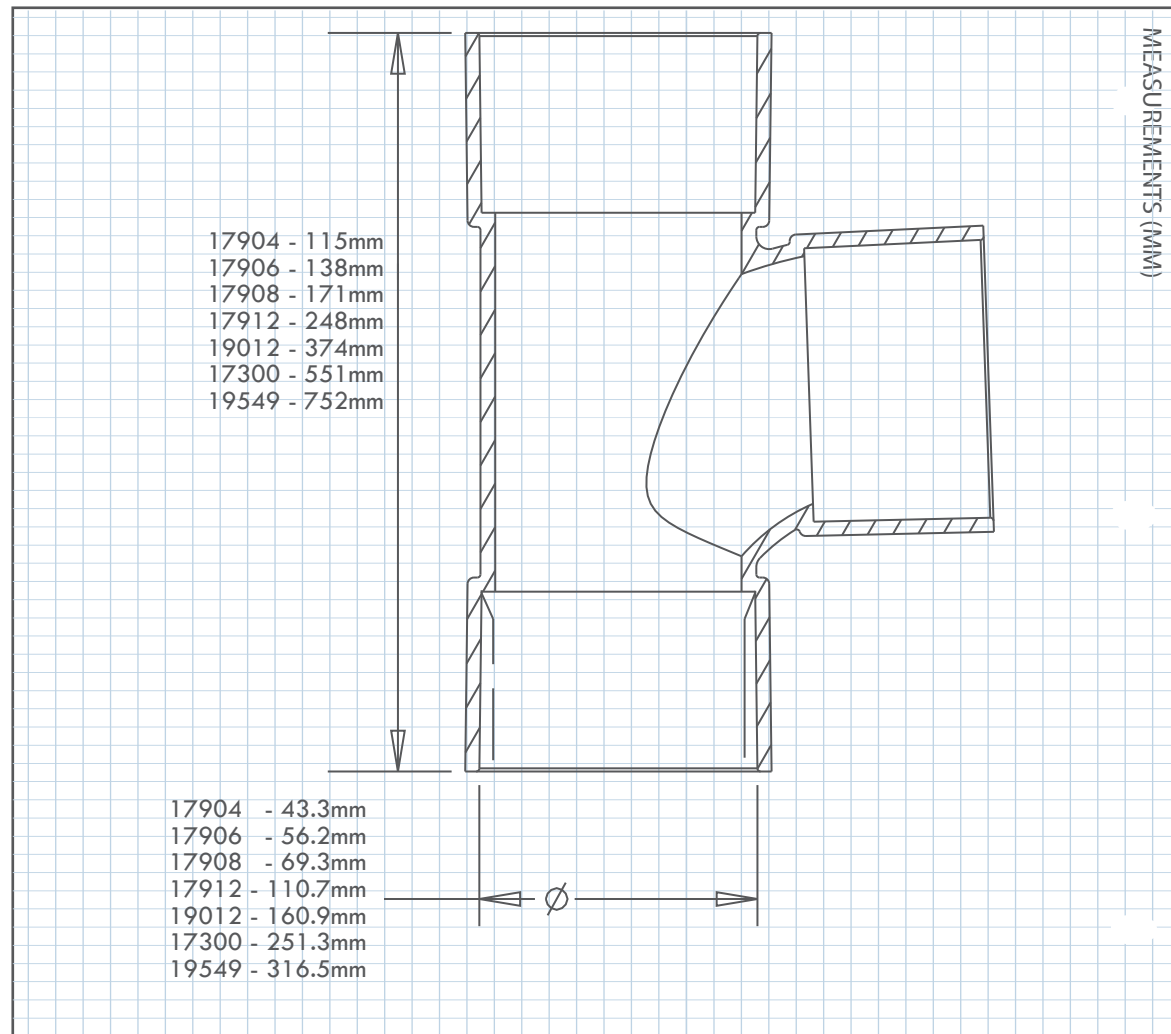
DWV FITTINGS

JUNCTIONS - FF - 88 DEGREES

PRODUCT SPECIFICATIONS



ID	DIA	OUTLET	
17904	40 Socket	40 Socket	80
17906	50 Socket	50 Socket	38
17908	65 Socket	65 Socket	40
17912	100 Socket	100 Socket	13
19012	150 Socket	150 Socket	5
17300	225 Socket	225 Socket	1
19549	300 Socket	300 Socket	1



 DIAMETER
  FASTENING
  BAG QTY
  CARTON QTY
  FINISH/COLOUR
  MEASUREMENT (MM)

Details are correct as at 10/11/2020, but are subject to change without notice

07 5413 4444 - WWW.PLASTEC.COM.AU