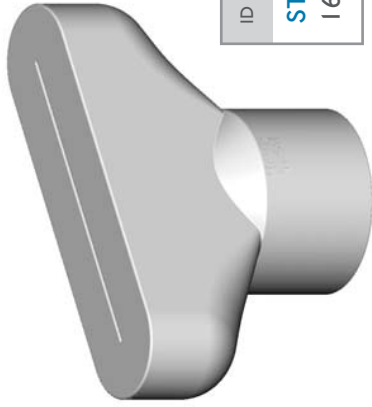




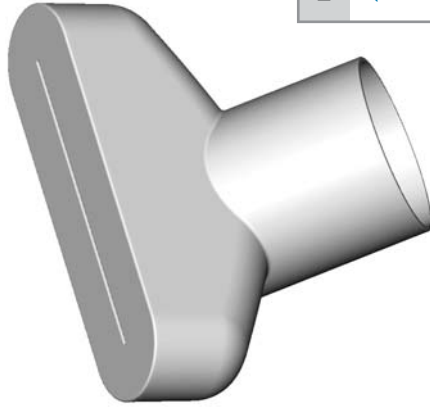
PLASTEC

DRAIN WASTE VENT (DWV) FITTINGS FROG MOUTHS

- Supplied with cap

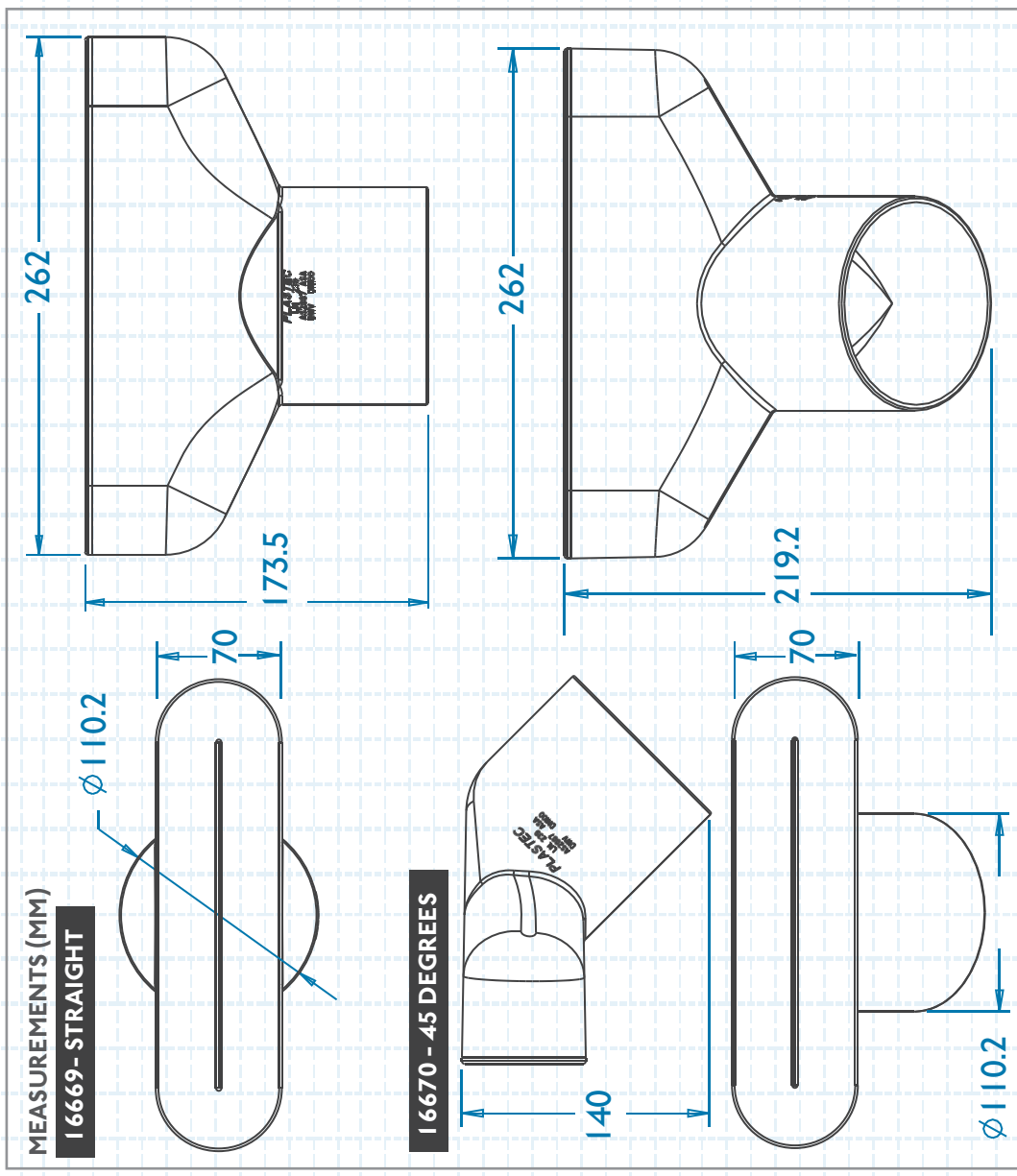


ID	OUTLET	DEGREE
STRAIGHT 16669	100	Spigot Straight
	19	



ID	OUTLET	DEGREE
45 DEGREES 16670	100	Spigot
	45	15

PRODUCT SPECIFICATIONS



WaterMark
AS2887 / 239

PH: 07 5413 4444 WWW.PLASTEC.COM.AU

DETAILS CORRECT AT TIME OF PRINTING (21.03.16), BUT IS SUBJECT TO CHANGE



DIAMETER



FASTENING



BAG QTY



CARTON QTY



FINISH/COLOUR



MEASUREMENT (MM)