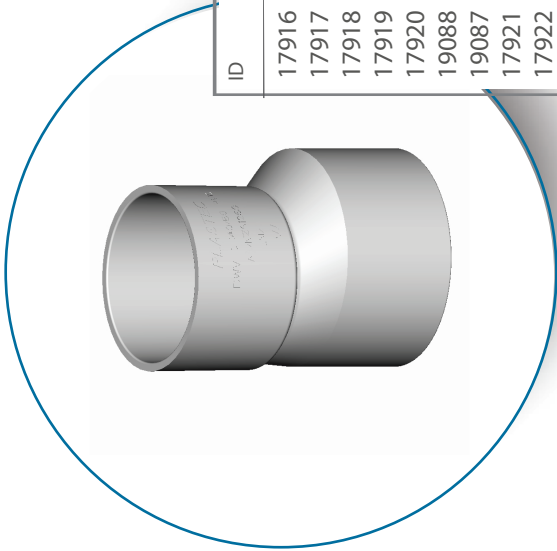


Level Invert Tapers (LIT)

DWW Reducers Range



ID	Ø
17916	50 x 40
17917	65 x 40
17918	65 x 50
17919	80 x 40
17920	80 x 50
19088	80 x 65
19087	100 x 40
17921	100 x 50
17922	100 x 65
17923	100 x 80
17924	150 x 100
19046	225 x 100
17307	225 x 150
19612	300 x 100
19532	300 x 150
19533	300 x 225
19639	375 x 100
19638	375 x 150
19637	375 x 225

Measurements (mm)

ID	a	b	c
17916	74.8	43.3	55.8
17917	94.05	43.3	68.9
17918	86.3	56.2	68.9
17919	113.2	43.3	82.5
17920	103.4	56.2	82.5
19088	99.6	69.3	82.5
19087	146.3	43.3	110.2
17921	140	56.2	110.2
17922	133.1	69.3	110.2
17923	126.1	83.0	110.2
17924	180.5	110.7	160.2
19046	298.9	110.7	250.3
17307	280	160.9	250.3
19612	430	110.7	315.4
19532	405.6	160.9	315.4
19533	352.8	251.3	315.4
19639	539.4	110.7	400
19638	575.1	160.9	400
19637	457.3	251.3	400

