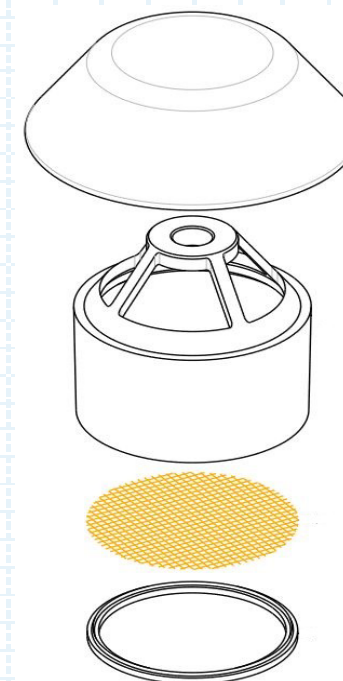
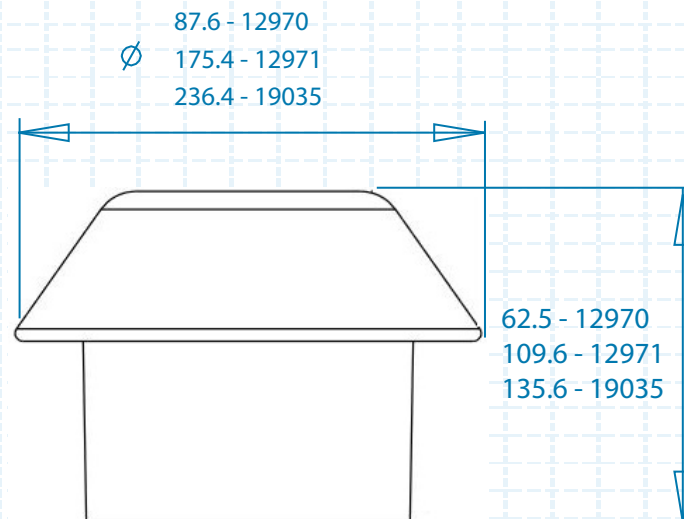


PRODUCT SPECIFICATIONS

DRAIN WASTE VENT (DWV) FITTINGS

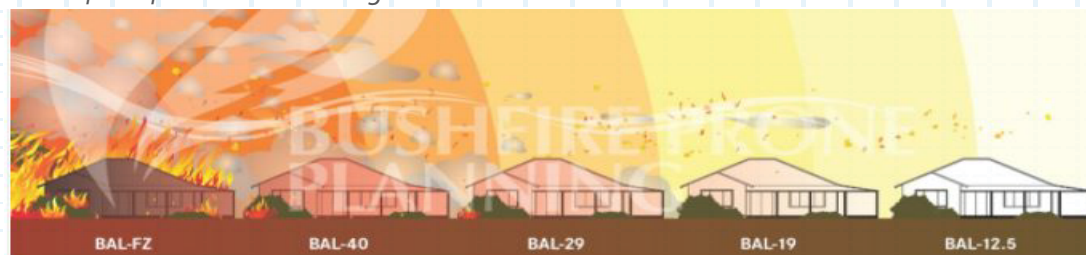
COVERED VENT COWL

- Stainless Steel Mesh - Mozzie Resistant
- Prevents Rainwater Entry to Drainage System
- Ember Resistant, can assist with required BAL Rating *




* What is a BAL ? (Bushfire Attack Level)

A BAL is the basis for establishing the requirements for construction (under the Australian Standard AS 3959-2009 Construction of Buildings in Bushfire Prone Areas), to improve protection of building elements from bushfire attack.



Please refer to each state & territory requirements when using the BAL ratings → <https://www.bushfireprone.com.au/what-is-a-bal/>

ID	SUIT	TYPE	
12970	50 DWV	Covered	86
12971	100 DWV	Covered	22
19035	150 DWV	Covered	10



WaterMark
 AS2887 / 239
 PH: 07 5413 4444 WWW.PLASTEC.COM.AU

DETAILS CORRECT AT TIME OF PRINTING 13/11/2020, BUT IS SUBJECT TO CHANGE

 DIAMETER  FASTENING  BAG QTY  CARTON QTY  FINISH/COLOUR  MEASUREMENT (MM)