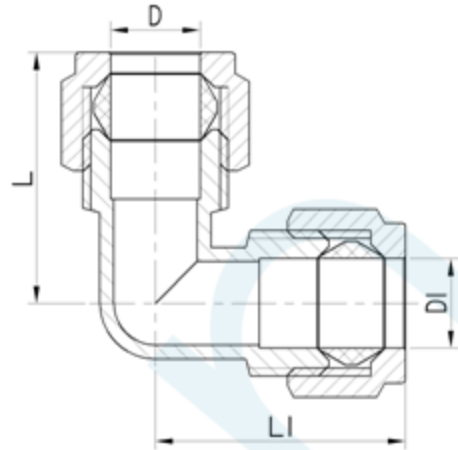


ELBOW C×C NYLON OLIVE

Brand Name: **elson**



CODE	DESCRIPTION	L(mm)	L1(mm)	D	D1
84206	ELBOW CxC 15mmC x 15mmC BRS N/O	35	35	DN15	DN15
84207	ELBOW CxC 15mmC x 15mmC CP N/O	35	35	DN15	DN15
84208	ELBOW CxC 20mmC x 20mmC BRS N/O	42	42	DN20	DN20
84209	ELBOW CxC 20mmC x 20mmC CP N/O	42	42	DN20	DN20
84210	ELBOW CxC 20mmC x 15mmC BRS N/O	39	41	DN20	DN15
84212	ELBOW CxC 25mmC x 25mmC BRS N/O	55	55	DN25	DN25

Product Specification & Features

- Maximum Working Temperature: 95°C
- Maximum Working Pressure at 20°C : 2000Kpa
- Threads: Complies with AS 1722.2
- Material: DR Brass, Complies with AS 2345
- Suitable for Potable Water – complies with AS/NZS 4020



Elson Australasia Pty Ltd

Tel: 02 9625 7899 Fax: 02 9625 7855

Website: www.elson.net.au E-mail: sales@elson.net.au

Version 1.0

Nov. 2020