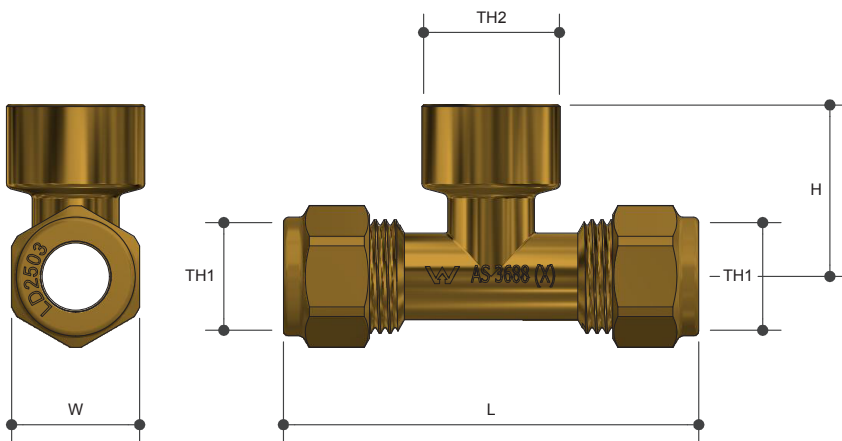


NYLON COMPRESSION

Tee Double Union

Product Specifications



Specifications

Maximum working temperature 1°C to 95°C

Maximum pressure rating 1600kPa

Sizing Chart (MM)

	L	H	W	TH1	TH2
AW1190	76	31	23	15C	Rp 1/2"
AW1191	76	31	23	15C	Rp 1/2"

* Chrome Plated

Features

Watermark approved

Brass and chrome finish

Tested and certified to AS 3688

Material Chart

Part	Material
Tee	DR Brass
Compression Nut	DR Brass
Olive	Nylon

For more information on Metforge, contact:

Austworld 15 Activity Crescent, Molendinar, Queensland 4214 Australia

P. 1300 780 430

F. 1300 780 441

E. info@austworld.com.au

Austworld Pty Ltd. All rights reserved 2018. Austworld and Metforge are registered trade mark belonging to Austworld Pty Ltd.

