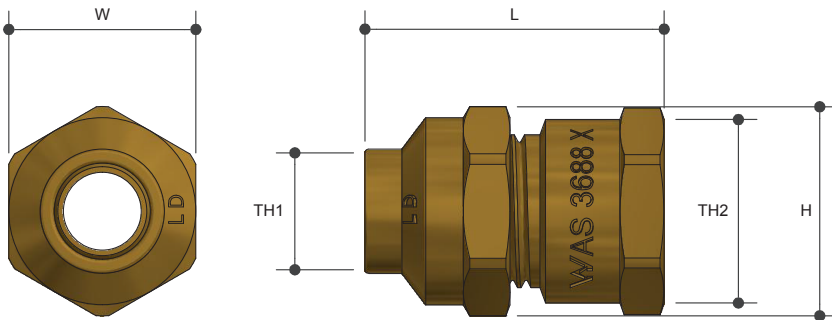


# FLARED COMPRESSION

Union Fl X C

Product Specifications



## Specifications

Maximum working temperature 1 °C to 95 °C

Maximum pressure rating 1600kPa

## Features

Watermark approved

Brass and chrome finish

Tested and certified to AS 3688

## Sizing Chart (MM)

	L	H	W	TH1	TH2
AW162	41	28	25	15C	Rp 1/2"
AW163*	41	28	25	15C	Rp 1/2"
AW170	46	36	32	20C	Rp 3/4"
AW170NB	46	36	32	20C	Rp 3/4"
AW176	53	43	38	25C	Rp 1"
AW182	58	51	47	32C	Rp 1 1/4"
AW182NB	58	51	47	32C	Rp 1 1/4"
AW182-1	62	58	55	40C	Rp 1 3/4"
AW182-2	71	72	67	50C	Rp 2"

\* Chrome Plated

## Material Chart

Part	Material
Union	DR Brass
Nipple	DR Brass

For more information on Metforge, contact:  
 Austworld 15 Activity Crescent, Molendinar, Queensland 4214 Australia  
 P. 1300 780 430 F. 1300 780 441 E. info@austworld.com.au

Austworld Pty Ltd. All rights reserved 2018. Austworld and Metforge are registered trade mark belonging to Austworld Pty Ltd.

