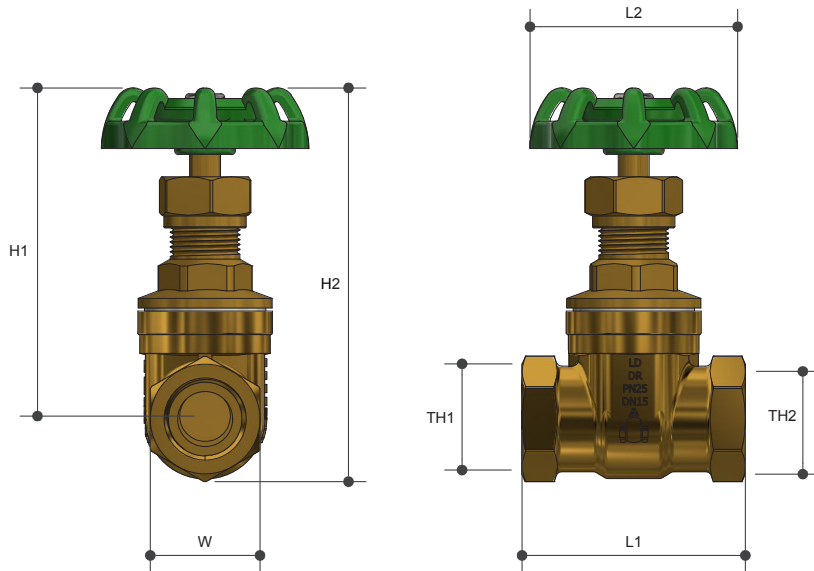


GATE VALVE

Watermarked

Product Specifications



Specifications

Working temperature 1°C to 95°C

Maximum pressure rating 2500 KPa

Sizing Chart (MM)

	L1	L2	H1	H2	W	TH1	TH2
GV15	57	53	84	100	28	Rp 1/2"	Rp 1/2"
GV20	62	63	95	114	34	Rp 3/4"	Rp 3/4"
GV25	70	63	107	130	40	Rp 1"	Rp 1"
GV32	80	80	123	151	51	Rp 1 1/4"	Rp 1 1/4"
GV40	88	90	134	166	57	Rp 1 1/2"	Rp 1 1/2"
GV50	95	100	156	192	70	Rp 2"	Rp 2"
GV65	117	110	188	232	86	Rp 2 1/2"	Rp 2 1/2"
GV80	140	110	208	262	101	Rp 3"	Rp 3"
GV100	166	110	260	321	125	Rp 4"	Rp 4"

Features

Watermark approved

Full Bore

100% pressure tested

Available in sizes 15mm (1/2") to 100mm (4")

Tested and certified to AS 1628

Material Chart

Part	Material
Body	DR Brass
Cover	DR Brass
Gate	DR Brass
Stem	DR Brass
Lock Nut	DR Brass
Packing Gland	PTFE
Gasket	PTFE
Hex Cap	Stainless Steel
Indication Cap	Stainless Steel
Nut	Brass
Handle	Cast Iron

For more information on Logi Valve, contact:
Austworld 15 Activity Crescent, Molendinar, Queensland 4214 Australia

P. 1300 780 430 F. 1300 780 441 E. info@austworld.com.au

Austworld Pty Ltd. All rights reserved 2018. Austworld and Logi Valve are registered trade mark belonging to Austworld Pty Ltd.

