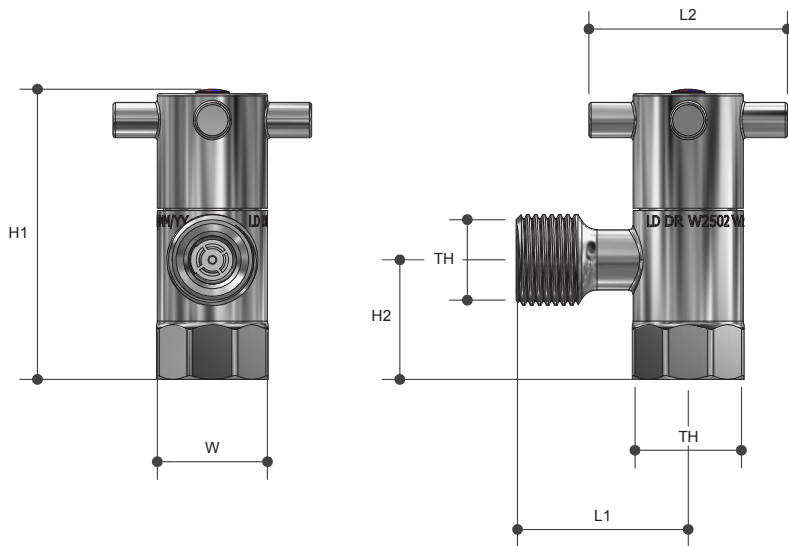


Cistern Stop Modular

BVCIST

Product Specifications

MT MONOPOLY™
TAPWARE



Specifications

Maximum working temperature 80°C

Maximum pressure rating 1000kPa

Sizing Chart (MM)

	L1	L2	H1	H2	W	TH
BVCIST	39	45	66	27	25	G 1/2"
BVCISTMB	39	45	66	27	25	G 1/2"

Features

Watermark approved

Chrome plated finish

Integrated non return valve designed to assist in the elimination of water hammer

Fashionable zinc handle

Simplicity of operation

Premium quarter turn ceramic disc

Australian patent number 2003213322

Supplied with red & blue indicator buttons

Available in Chrome and Matte black

Tested and certified to AS/NZS 3718



For more information on Monopoly Tapware, contact:
Austworld 15 Activity Crescent, Molendinar, Queensland 4214 Australia

P. 1300 780 430 F. 1300 780 441 E. info@austworld.com.au

Austworld Pty Ltd. All rights reserved 2018. Austworld and Monopoly Tapware are registered trade mark belonging to Austworld Pty Ltd.

AW
AUSTWORLD