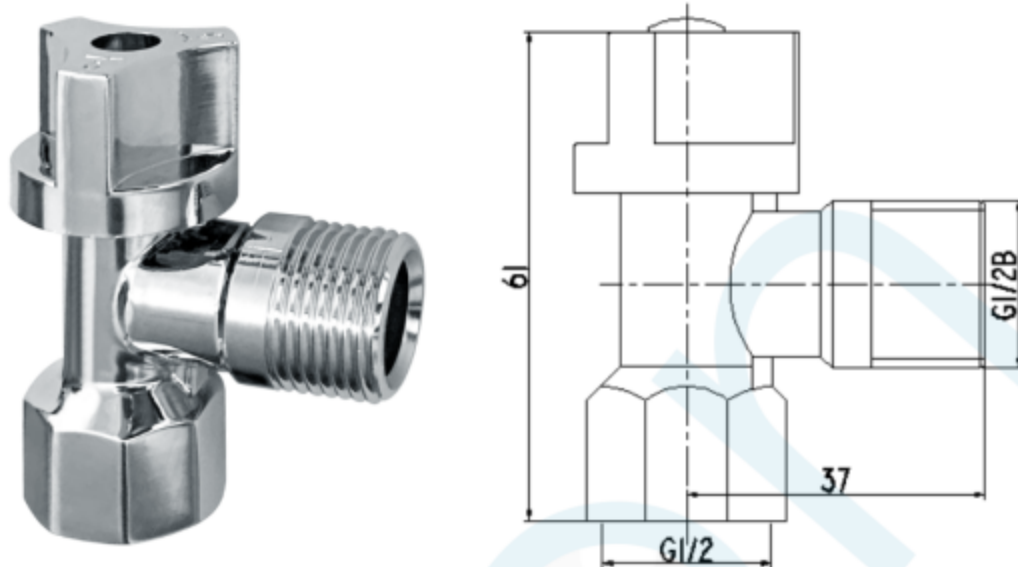


1/4 TURN MINI CISTERN TAP WITH NON RETURN VALVE C/P



Product Code 60820

Product Specifications

- Maximum Working Temperature: 80 °C
- Maximum Working Pressure: 1300 kPa
- Flow Rate at Pressure 250kPa: 18 L/Min
- G1/2 BSP Inlet, G1/2B BSP Outlet.
- Threads comply with AS 1722.2.
- Material: DR Brass in compliance with AS 2345
- Suitable for potable water, Comply with AS/NZS 4020.
- Complies: AS/NZS 3718, Watermark Licence Number: WMKA02498

Standards & Approvals



Elson Australasia Pty Ltd

Tel: 02 9625 7899 Fax: 02 9625 7855

Website: www.elson.net.au E-mail: sales@elson.net.au

Version 1.0

Nov. 2020

Features

- ¼ turn isolation stops are a brass stem ball valve design (not Ceramic disc)
- Non-return valve ensures no backflow
- Tuff-plated high quality chrome finish
- elson manufactured in our ISO 9001 certified factory

Benefits

- Can be used on high and Low pressure applications
- Smooth ¼ turn control
- Proven reliability
- Trusted quality and design

Ceramic disc's are more problematic under certain conditions and are adversely affected by high pressure and not suitable for low pressure.

Installation Instructions

To be installed by a Licenced Plumber in accordance with AS/NZS 3500.

1. Flush the line in accordance with AS/NZS 3500.
2. Turn off the mains water supply to the point of installation.
3. Turn the Valve off – rotate the handle fully clockwise.
4. Hold the dual Isolation stop in desired position and tighten rotating nut to mounting thread securely.
5. Turn on the mains water supply to the point of installation. Test for leaks in accordance with AS/NZS 3500.
6. Connect mixer hose connections.
7. Turn the valve on – rotate the handle fully Anti-clockwise.
8. Test for leaks in accordance with AS/NZS 3500.

Elson Australasia Pty Ltd

Tel: 02 9625 7899 Fax: 02 9625 7855

Website: www.elson.net.au E-mail: sales@elson.net.au

Version 1.0

Nov. 2020