

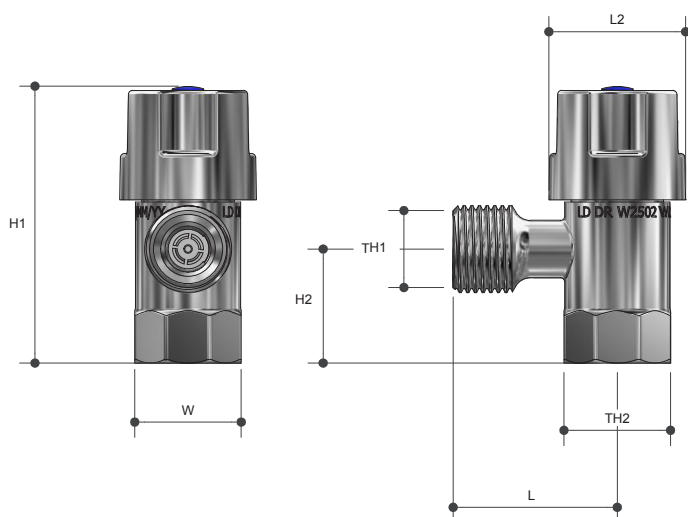
Isolation Stops

CISTERN STOP MODULAR QUARTER TURN

MT15

Product Specifications

MT MONOPOLY™
TAPWARE



Specifications

Maximum working temperature 75°C

Maximum pressure rating 1000kPa

Sizing Chart (MM)

	L1	L2	H1	H2	W	TH1	TH2
MT15	39	30	66	27	25	G 1/2"	G 1/2"

Material Chart

Part	Material
Body	DR Brass
Cartridge	DR Brass
Sure Clip	Stainless Steel
Check Valve	POM
Handle	ABS
Handle Screw	Stainless Steel
Buttons	POM

Features

Watermark approved

Chrome plated finish

Intergrated non return valve designed to assist in the elemination of water hammer

Fashionable ABS handle

Simplicity of operation

Premium quarter turn ceramic disc

Supplied with red & blue indicator buttons

Australian patent number 2003213322

Supplied with red & blue indicator buttons

Tested and certified to AS/NZS 3718



For more information on Monopoly Tapware, contact:
Austworld 15 Activity Crescent, Molendinar, Queensland 4214 Australia

P. 1300 780 430 F. 1300 780 441 E. info@austworld.com.au

Austworld Pty Ltd. All rights reserved 2018. Austworld and Monopoly Tapware are registered trade mark belonging to Austworld Pty Ltd.

AW
AUSTWORLD