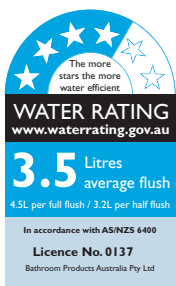


LIFE ASSIST

CLOSE COUPLED SPECIAL NEEDS TOILET SUITE
S or P TRAP

Life Assist Seat



LIFE ASSIST

CLOSE COUPLED SPECIAL NEEDS TOILET SUITE



- Smartly styled flush to wall close coupled vitreous china toilet suite designed for special needs applications
- Long projection WC pan for wheelchair side access
- AS1428.1 compliant
- Raised flush buttons(blue) for ease of operation
- Special Needs seat(blue or grey) with lateral stabilisers supplied as standard
- Adjustable for concealed back entry or optional left/right hand bottom entry
- Adjustable S connector supplied for 90-300mm set out or 300-370 with optional X011B connector



Item	Provided Description	Code	
Toilet	Life Assist Flush to Wall Close Coupled Pan	J2700SN	
Cistern	Life Assist Cistern with Raised Buttons	J2750SN	
Seat	Life Assist Toilet Seat - Blue	OR	RB6044B
Seat	Life Assist Toilet Seat - Grey		RB6044G
Seat	Life Assist Toilet Seat - White		RB6044W
Sewer	S Connector 90-300mm set out	X011H	
Installation	Floor Fixing Kit	XJ200	
Installation	Instruction Sheet	✓	

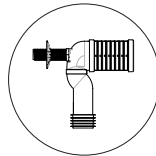
Optional		
Inlet Valve	Bottom Entry Inlet Valve conversion Kit	XJ108

Special Note

For compliance with AS1428.1 the seat is available in a grey or blue colour to provide contrast for vision impaired individuals.

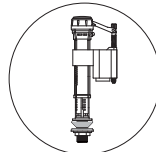
The seat also has lateral stabilisers fitted for people with ambulatory limitations and there is no seat lid.

Note that the design of the installation must comply with AS1428.1(2009)-Design for access and mobility



SUPPLIED WITH X011H ADJUSTABLE CONNECTOR FOR S TRAP INSTALLATIONS. WHEN X011H IS USED SET OUTS OVER 200mm MAY REQUIRE THE INSTALLER TO ADD A BLOCK EXTENSION TO THE WALL ENABLE THE CONNECTOR PROP TO REACH BACK TO THE WALL.

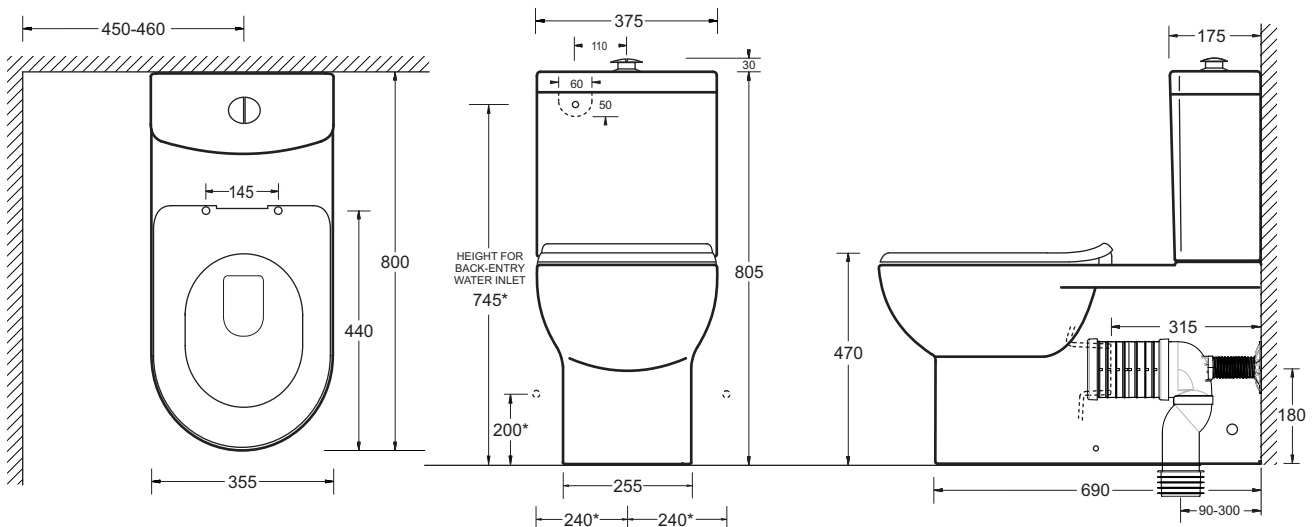
P TRAP HEIGHT 180mm



OPTIONAL INLET VALVE (XJ108) REQUIRED FOR BOTTOM WATER ENTRY INSTALLATIONS

Standard Fittings

Inlet Valve	XJ102
Outlet Valve	XJ114
Stopper Plug	XJ160
Cistern/Pan Seal	XJ161
Silicone Pan Caps	XJ188
½" Hose 300mm	XJ191
Cistern Bolts	XJ193



* RECOMMENDED WATER INLET LOCATIONS

All dimensions are in millimetres and are subject to normal manufacturing variation of +/- 3mm on all surfaces. As product development is ongoing BPA reserves the right to vary specifications without notice.

Bathroom Products Australia P/L
ABN 87 079 297 617
Tel: 1300 717 717
Fax: 1300 746 480
www.johnsonsuiss.com.au