

# 747 SERIES FILL VALVE



## Application

The whisper quiet Fluidmaster 747 Series Fill Valve boasts a compact and modern design with a high critical level. The optional riser tube enables for a custom installation either by side mount or bottom mount at varying heights. The 747 works efficiently with high or low water pressure. The high level of accuracy provided by the valve makes for an ideal flush volume in any toilet. The durable parts stand up to years of flushes, while the narrow profile allows a proper fit in slim-line WC cisterns with no adjustment needed. Quality is assured by factory testing of every valve, living up to the highest Fluidmaster quality standards.

## Features:

- Whisper quiet operation
- Compact size fits a wide range of applications including small in-wall tanks
- Unique self-cleaning valve mechanism operates from very low to high pressures
- Meets requirements of major codes around the world
- 3 refill port locations
- Hand wash option available

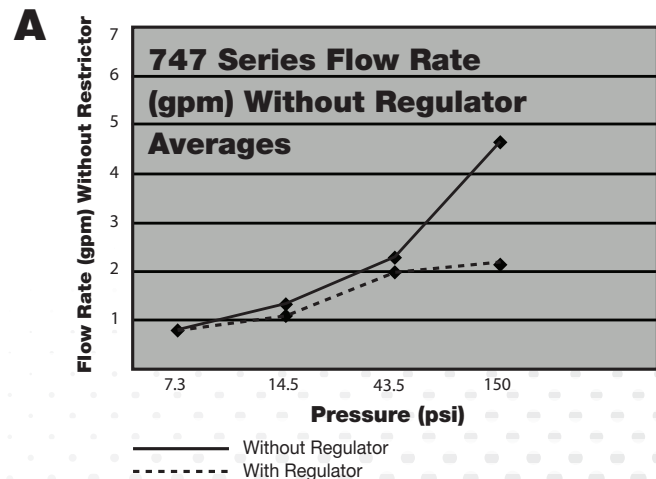
## Technical Data

- Operating pressure: 2.6-232 psi (0.2-10.3 Bar)
- Bowl refill rates: see chart B
- Critical Level: 1.4" (35.5mm) (side mount)  
2" (50.8mm) (US)
- Flow range: .50 gpm (1.9 L/min) minimum @ 2.6 psi (.18 bar)  
8 gpm (30 L/min) maximum @ 150 psi (10.3 bar)
- Sound level: 32 dBA with restrictor (side mount)
- Standard side mount thread configuration:  
747UK (ISO 228/1-G 1/2B) (plastic & brass)  
747E (ISO 228/1-G 3/8) (plastic & brass)
- Standard 15/16" plastic bottom mount riser tube heights:  
7.76"(197mm), 9.3"(236mm), 9.6"(243mm), & 10.8"(274mm)
- 4.5" (114.3mm) float adjustment range
- Footprint: 3.42"(86.87mm) x 2.20"(55.9mm)

## Installation Guidelines

Recommended torque range:  
Plastic Bottom Mount Riser: 5-8 ft-lbs (60-96 in-lbs)  
Side mount: varies by code requirement

## Standards Compliance



**B**

Insert Color	Standard Valve Down Tube	High Refill Down Tube
	No insert	33%
Yellow	30%	41%
Blue	28%	38%
Natural	21%	30%
Green	20%	28%
Red	16%	24%
Orange	7%	12%



# 747 SERIES FILL VALVE

## Bulk Packaging Information

Qty per Master: 60  
Master Dimensions: 22 3/4" x 17 1/2" x 13 3/4" (LxWxH)

## Options and Accessories

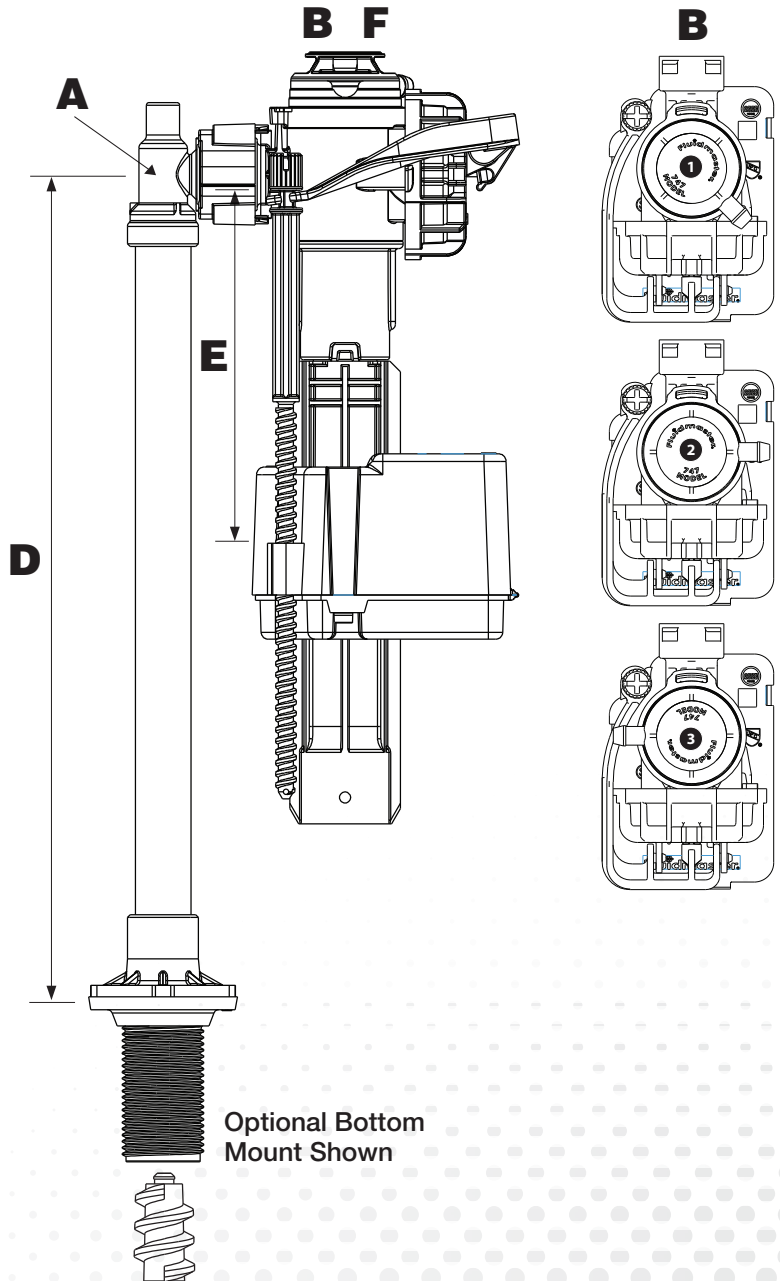
- Flow restrictor option
- Locknut (purchase in bulk separately)
- Cap position: 3 positions
- Optional flow restrictor
- Refill restrictors
- Riser regulator
- Hand wash
- Multiple shank configurations

## How to Specify

- Bottom inlet or side inlet - A
- Refill restrictor & percentage (0-44%) - B
- Size of shank (3/8", 1/2", 15/16")
- Shank material (plastic, brass, nickel plated brass)
- Height of optional 15/16" riser - D
- Height of float - E
- Refill port positions - F
- Shank washer installed
- Attachment parts and accessories
- Code approval required

## Other Related Fluidmaster Products

200 series fill valve  
300 series fill valve  
400 series fill valve  
507 series flush valve  
540 series flush valve  
820 series flush valve



**Programs Available:**  
Only The Best Inside  
and PRO Series Marketing

