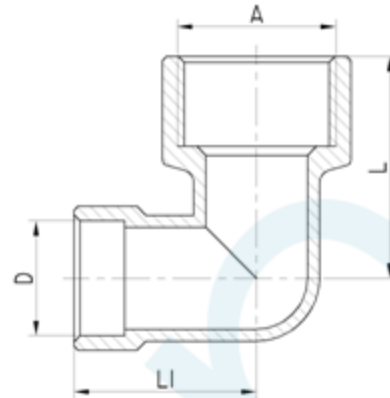


ELBOW C×F NO.14

Brand Name: **elson**



CODE	DESCRIPTION	L(mm)	L1(mm)	A	D
83116	ELBOW C×F NO.14 15mm OD × 15mm FI	25	18	G1/2	DN15
83120	ELBOW C×F NO.14 20mm OD × 15mm FI	34	33.5	G1/2	DN20
83122	ELBOW C×F NO.14 20mm OD × 20mm FI	37	30.5	G3/4	DN20
83123	ELBOW C×F NO.14 25mm OD × 20mm FI	29.5	34.5	G3/4	DN20
83127	ELBOW C×F NO.14 25mm OD × 25mm FI	37	30	G1/2	DN20
83129	ELBOW C×F NO.14 32mm OD × 32mm FI	44.5	42.5	G1 1/4	DN32
83131	ELBOW C×F NO.14 40mm OD × 40mm FI	46	47.5	G1 1/2	DN40

Product Specification & Features

- Maximum Working Temperature: 95°C
- Maximum Working Pressure at 20°C : Water-2000Kpa, Gas-500KPa
- Threads: Complies with AS ISO 7.1, AS ISO 7.2 and AS 1722.2
- Material: DR Brass, Complies with AS 2345
- Suitable for Potable Water – complies with AS/NZS 4020



Elson Australasia Pty Ltd

Tel: 02 9625 7899 Fax: 02 9625 7855

Website: www.elson.net.au E-mail: sales@elson.net.au

Version 1.0

Nov. 2020