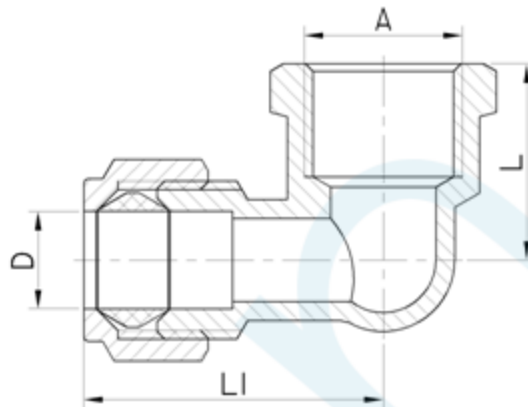


**ELBOW C×F NYLON OLIVE**

Brand Name: **elson**



CODE	DESCRIPTION	L(mm)	L1(mm)	A	D
84418	ELBOW CxF 15mmC x 15mm FI BRS N/O	26	40	G1/2	DN15
84419	ELBOW CxF 15mmC x 15mm FI CP N/O	26	40	G1/2	DN15
84420	ELBOW CxF 20mmC x 20mm FI BRS N/O	30	46	G3/4	DN20
84422	ELBOW CxF 15mmC x 20mm FI BRS N/O	38	42	G3/4	DN15
84424	ELBOW CxF 20mmC x 15mm FI BRS N/O	34	43	G1/2	DN20
84426	ELBOW CxF 25mmC x 25mm FI BRS N/O	50	45	G1	DN25

**Product Specification & Features**

- Maximum Working Temperature: 95°C
- Maximum Working Pressure at 20°C : 2000Kpa
- Threads: Complies with AS 1722.2
- Material: DR Brass, Complies with AS 2345
- Suitable for Potable Water – complies with AS/NZS 4020



**Elson Australasia Pty Ltd**

Tel: 02 9625 7899 Fax: 02 9625 7855

Website: www.elson.net.au E-mail: sales@elson.net.au

Version 1.0

Nov. 2020