

Polymer Distribution Boxes



EVERHARD Polymer Distribution Boxes are made from injection moulded Polypropylene which is durable and tough, with additives for resistance to UV degradation. Pre-cut holes for DN100 uPVC pipes (inlet and two side outlets) and their light weight makes them easy to handle and simple to install. Extra holes are readily cut with a normal jig-saw or hole-saw.

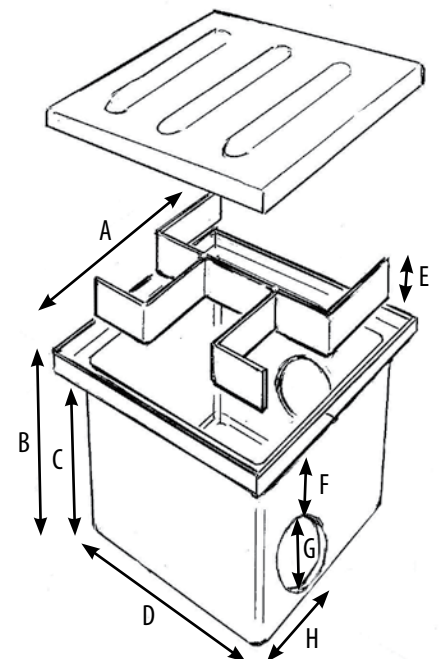
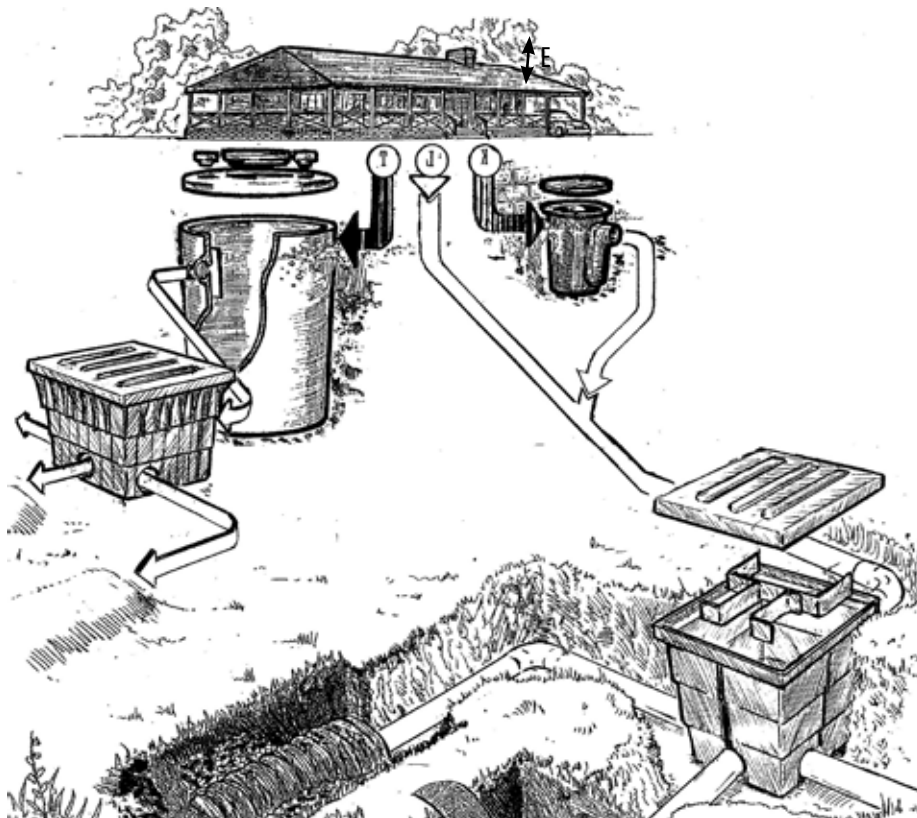
Distribution Boxes are available with weir baffles to divide flow evenly. Weir retaining clips are also available to be fitted so that surges of incoming fluid do not dislodge the weir.

Standard moulded Polymer Covers are suitable for non-traffic areas such as gardens. Optional concrete covers are also available for areas where regular pedestrian traffic is probable, or where activities such as mowing may damage standard covers.

NOTE - Some authorities may not permit the use of Distribution Boxes. This is usually where pumped and valve controlled flow to on-site land application systems are installed or required. Check with the local authority before selecting and ordering equipment for any on-site waste-water treatment or disposal system.

Distribution Boxes must be installed on a compacted bed of seating material in a hole with inlet and outlet pipes at the correct depth to allow free drainage.

Fluid in Distribution Boxes from waste-water treatment systems is contaminated and may be harmful. Access to the Distribution Box for cleaning purposes etc must be restricted to authorised personnel.



Dimensions	
A	357mm
B	326mm
C	300mm
D	290mm
E	160mm
F	210mm
G	110mm dia
H	90mm

Distribution Boxes are often used with other products in the EVERHARD range for normal on-site disposal by land application methods such as evapo-transpiration trenches or beds. EVERTRENCH is a popular choice.

Product Code	Description	Weight Kg
84916	Series 300 polymer distribution box c/w concrete lid	16
84915	Series 300 polymer distribution box c/w concrete lid & weir	16
21208	Concrete lid to suit Series 300 polymer distribution box	13
84930	Series 300 polymer distribution box case only	2
21220	437 t box lid only / weir lid - to suit concrete case only	13
21205	306/3012 d/chamber lid only - to suit concrete case only	10
84221	Series 300 polymer riser only 150mm high	1