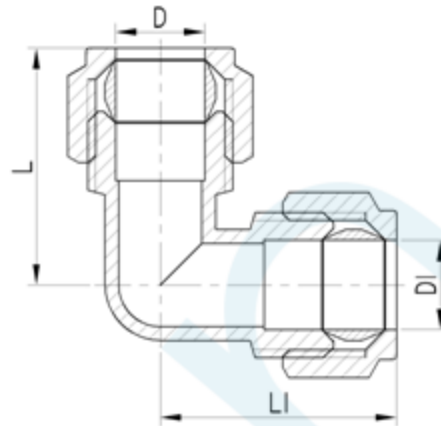


**ELBOW C×C COPPER OLIVE**

Brand Name: **elson**



CODE	DESCRIPTION	L(mm)	L1(mm)	D	D1
87206	ELBOW CxC 15mm C x 15mm C BRS C/O	34.2	34.2	DN15	DN15
87207	ELBOW CxC 15mm C x 15mm C CP C/O	34.2	34.2	DN15	DN15
87208	ELBOW CxC 20mm C x 20mm C BRS C/O	41	41	DN20	DN20
87210	ELBOW CxC 20mm C x 15mm C BRS C/O	40	38.1	DN20	DN15
87212	ELBOW CxC 25mm C x 25mm C BRS C/O	53	53	DN25	DN25

**Product Specification & Features**

- Maximum Working Temperature: 95°C
- Maximum Working Pressure at 20°C : 2000Kpa
- Threads: Complies with AS 1722.2
- Material: DR Brass, Complies with AS 2345
- Suitable for Potable Water – complies with AS/NZS 4020

Standards & Approvals



**WaterMark**  
WMKA02497  
Standard AS 3688  
SAI GLOBAL

**Elson Australasia Pty Ltd**

Tel: 02 9625 7899 Fax: 02 9625 7855

Website: www.elson.net.au E-mail: sales@elson.net.au

Version 1.0

Nov. 2020