

PLUMBERS INSTALLATION INSTRUCTIONS

Important

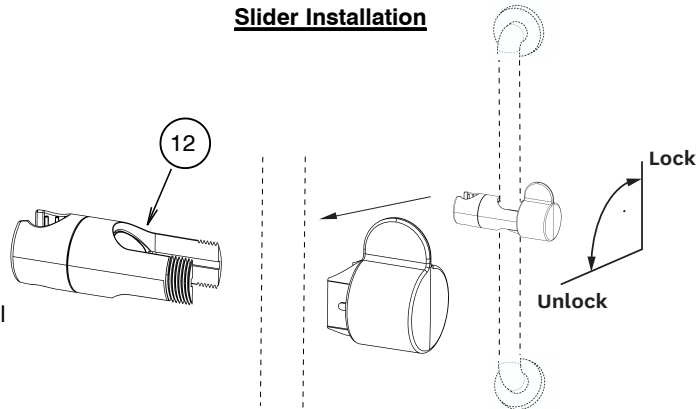
- * The hand shower is used with a grab rail (not supplied) & slider (12) supplied.
- * The hand shower (11) is fitted with a flow regulator (10).
Note: Warranty is void if flow regulator (10) and check valves (4) are not installed as shown.
- * **Not suitable for gravity feed systems.**
- * **The flow of water to the handshower is regulated.**
This lower flow rate may not be suitable for connection to some gravity fed Water Heaters, low pressure supply networks, Instantaneous Water Heaters, Tempering Valves, Solar Water Heaters & Thermostatic Mixing Valves.
Check with the manufacturers of these products.
- * **All pipework must be thoroughly flushed prior to installation, as foreign materials may block the flow regulating device and reduce the flow of water.**

Installation

- 1) Check that threaded nipple (1) is the correct length as shown. Cut to length if required ensuring end face is square. Apply thread tape to the thread.
Important: Care must be taken that thread tape cannot become dislodged and block the flow regulating device, causing a reduction in water flow.
- 2) Fit seal (2) into groove in wall elbow (3). Screw wall elbow (3) onto threaded nipple (1) and position so that hose (6) will hang vertically down. **DO NOT OVERTIGHTEN.**
- 3) Check that rubber washer (5) is installed into the shorter conical fitting (6) of shower hose (7) then screw onto the thread of wall elbow (3) and tighten. Ensure flow regulator (10) is installed in hand shower (11) and strainer washer (9) is in position in the longer conical fitting (8) of shower hose (7) then screw onto hand shower (11) and tighten.
Important: If water does not flow from hand shower (9) make sure that check valves (4) are installed with the arrows pointing in the direction of flow.

IMPORTANT	
<u>Pressure & Temperature Requirements.</u>	
•	Hot and cold water inlet pressures should be equal.
•	Static inlet pressure range : 150 -1000 kPa New Regulation :-500 kPa maximum static pressure at any outlet within a building. (Ref. AS/NZS 3500.1)
•	Maximum hot water temperature : 80°C.
<u>Installation Requirements.</u>	
•	The installing plumber is responsible for waterproofing all penetrations for Taps in Shower areas at installation by a proprietary flange system or a sealant. (Ref AS3740)

Slider Installation



To adjust slider position, rotate the slider handle to unlock and lock the slider as shown.

