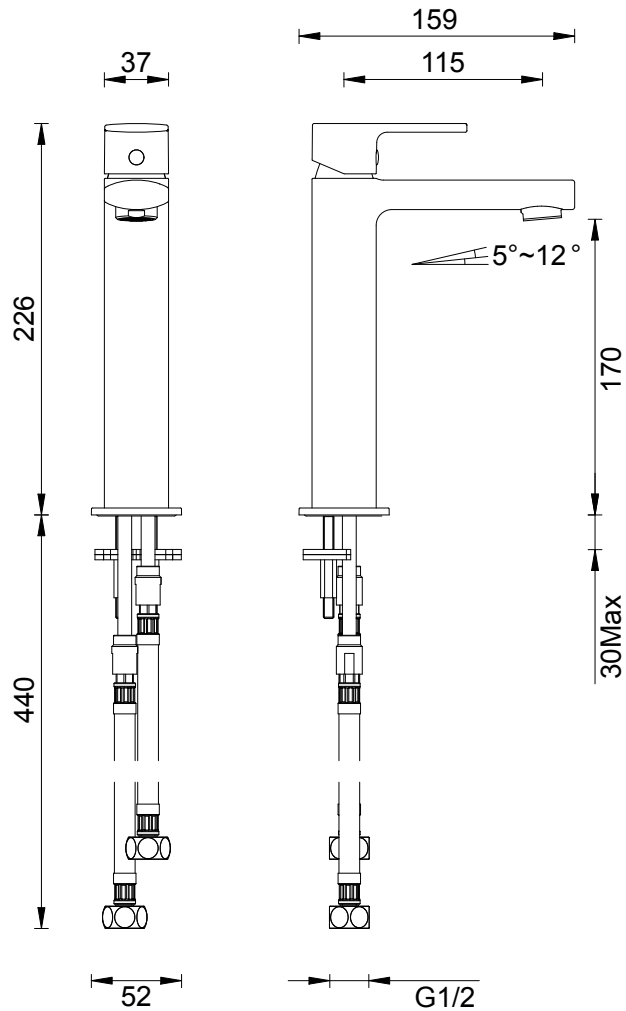
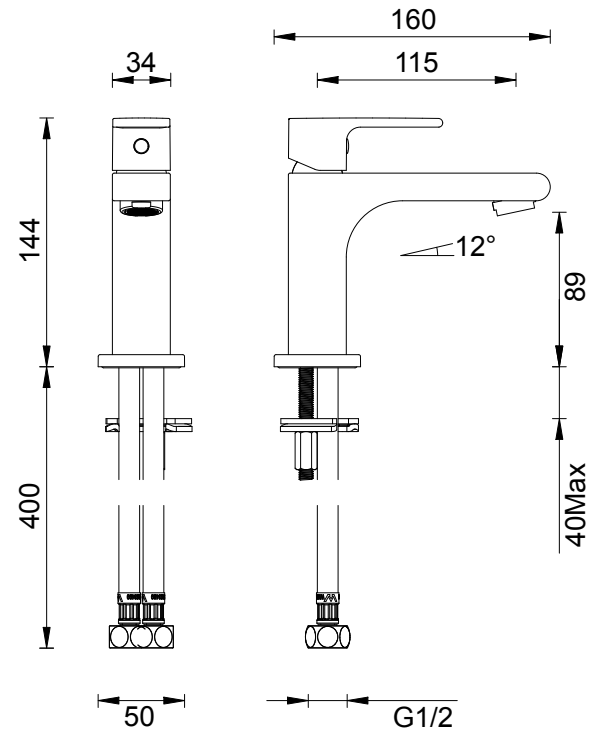


2B1/2B1-B



2B2



1B1/1B1-B