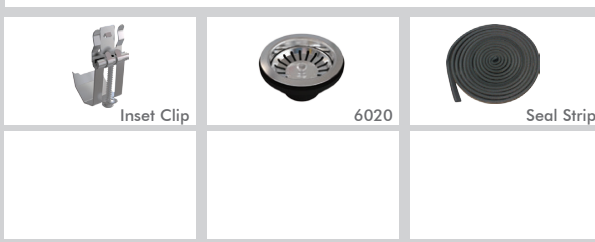


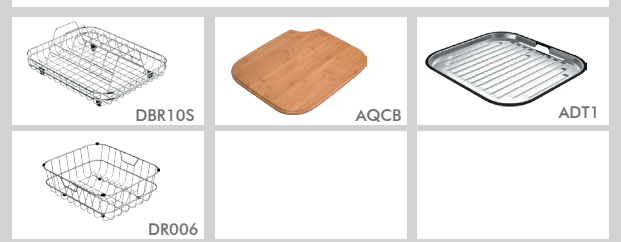


Model Code: EN180L

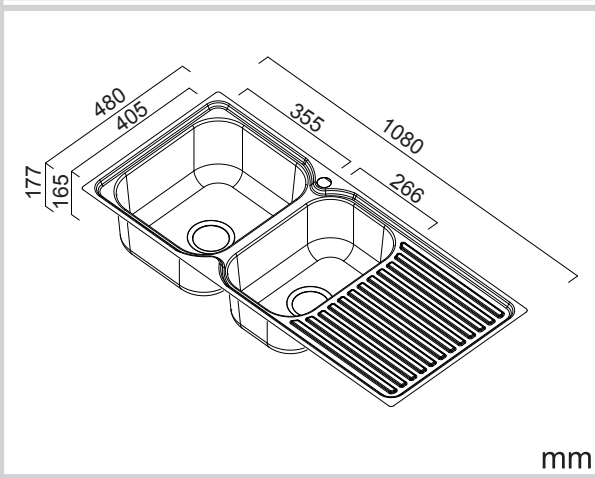
Included Accessories



Optional Accessories



Dimensions



Specifications

Description	Double bowls with one Drainer, inset sink
Overall Sink Size	1080mm x 480mm x 177mm deep
Bowl Dimensions	355mm x 405mm x 165mm deep 266mm x 405mm x 165mm deep
Drainer Length	386mm
Technic	Pressed
Material	Stainless steel SUS304

Installation

Fixings	Inset clips supplied
Template	Supplied
Min Cabinet Size	696mm
Waste Holes	2 x 90mm round Compatible with waste disposal

Plumbing

Waste Fittings	2 x (90mm x 2") basket wastes included
Overflow	Available, conditions apply

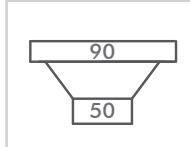
Packaging

Carton Type	EPS protection & individual sleeve
Gross Weight	4.08Kg
Carton Size	1130mm x 525mm x 207mm
Pack QTY	1

SURFACE FINISH



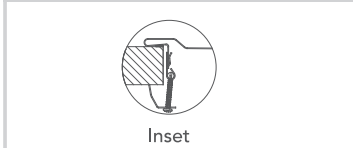
WASTE KIT



MATERIAL



INSTALLATION OPTIONS



PROFILE