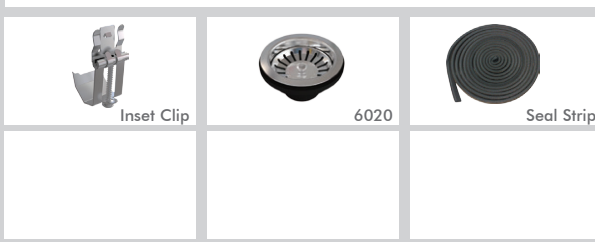


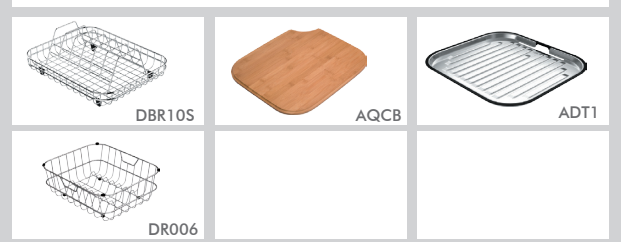


Model Code: EN200L

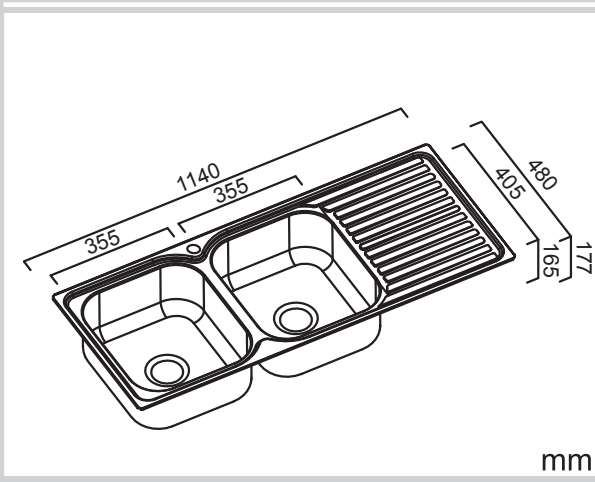
Included Accessories



Optional Accessories



Dimensions



Specifications

Description	Double bowls with one Drainer, inset sink
Overall Sink Size	1140mm x 480mm x 177mm deep
Bowl Dimensions	355mm x 405mm x 165mm deep 355mm x 405mm x 165mm deep
Drainer Length	358mm
Technic	Pressed
Material	Stainless steel SUS304

Installation

Fixings	Inset clips supplied
Template	Supplied
Min Cabinet Size	785mm
Waste Holes	2 x 90mm round Compatible with waste disposal

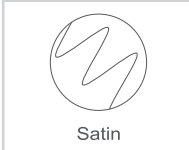
Plumbing

Waste Fittings	2 x (90mm x 2") basket wastes included
Overflow	Available, conditions apply

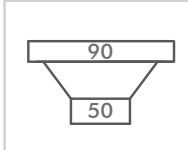
Packaging

Carton Type	EPS protection & individual sleeve
Gross Weight	4.24Kg
Carton Size	1190mm x 525mm x 207mm
Pack QTY	1

SURFACE FINISH



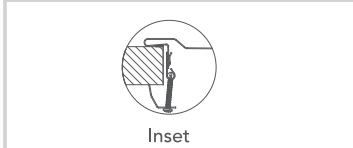
WASTE KIT



MATERIAL



INSTALLATION OPTIONS



PROFILE

Abey are Australia's leaders in sinkware, designing and manufacturing to the world's highest quality specifications as well as sourcing and bringing you Europe's very best, leading edge designs – practical, affordable, inspirational, stylish, timeless or cutting edge. When you buy an Abey stainless steel sink you receive the highest quality and 25 year warranty. Abey and the manufacturer are continually seeking ways to improve the design specifications, aesthetic and production techniques of the products. As a result, alterations to the specifications and dimensions of the products and designs occur continually.