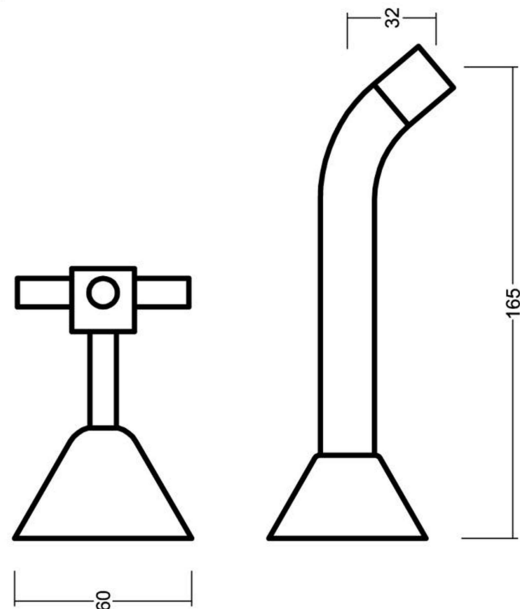


AKITA Wall Bath Set 170mm

Featuring the Exclusive Collection

alder tapware



AVAILABLE FINISH:



CHROME

FOR MORE INFORMATION VISIT
www.aldertapware.com.au

SPECIFICATIONS

PRODUCT CODE: 38890 CHROME
 MATERIAL: BRASS
 TEMPERATURE: MAX 75° C
 PRESSURE: MAX 500 Kpa
 INSTALLATION: DOUBLE 'O' RINGS on Spindles
 ACCREDITATIONS: AS/NZS 3718 – WM 002002

PRODUCT FEATURES

- Simple and classic cross handle design with a fixed spout to suit any bathroom décor
- Hot and Cold etched on the handles
- Matching accessories and showers to complete your bathroom look
- Australian designed and engineered
- Supported by a 7 year warranty