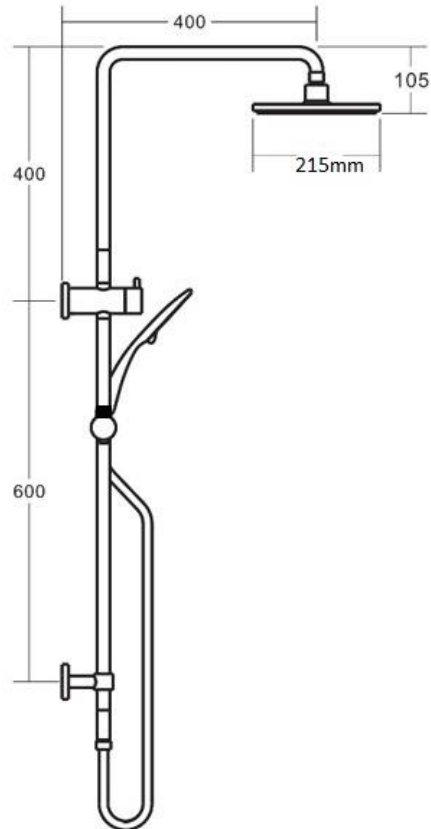
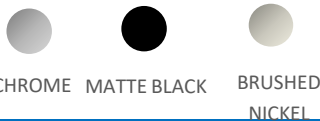


Eco Dual Elite Rain Shower Round HS375

Featuring the Exclusive Collection
vito berton



AVAILABLE FINISH:



FOR MORE INFORMATION VISIT
www.aldertapware.com.au



SPECIFICATIONS

PRODUCT CODE:	98750 CHROME 98762 MATTE BLACK 98764 BRUSHED NICKEL
WELS:	3 STAR 9Litres/Min S14491
MATERIAL:	BRASS ARM
TEMPERATURE:	MAX 75° C
PRESSURE:	MAX 500 KPA
INSTALLATION:	Recommended height for shower outlet 1900mm above the floor
ACCREDITATIONS:	AS/NS3662 Watermark WM-022307 Dual Check Valve System – complies to AS NZS 3500.1:2003

PRODUCT FEATURES

- ECO DUAL integrates functionality with form, highlighted by the elegant handset and premium features throughout
- Double shower experience with Rain Shower overhead and NANO-JET™ 3x function handset
- Solid brass rail construction with swivel shower head for maximum utilisation and versatility
- Rain shower is a wide 215mm in diameter
- ULTRA-WIDE showers offer wide shower coverage
- Anti-Twist Polymer Hose 1200mm
- Australian designed and engineered
- Supported by a 15 year warranty

