

# Aquablend® 2500 Thermostatic Mixing Valve

## ATM725

Enware's Aquablend® 2500 technology provides superior control, under changing pressure and temperature conditions as well as at ambient start up when scald protection is needed most. The proven performance, reliability and low 'whole of life' cost makes Aquablend® a popular choice with specifiers, engineers, plumbers and property owners.

The Aquablend® 2500 is designed for high demand applications such as shower blocks. The 25mm outlet allows higher flow rates to service a larger number of outlets.

### KEY FEATURES

- Scald and thermal shock protection with rapid thermal shut-off should either the cold or hot water supply fails
- Highly responsive temperature control, maintaining outlet temperature within +/- 2°C under changing inlet temperature and pressure conditions
- Delivers excellent flow, operating at a minimum pressure of 10kPa
- Supplied complete with isolating valves, non-return valves and dual stage strainers incorporating temperature/ pressure test ports
- Flexible installation - can be upside down or sideways, inlet and outlet connections may be rotated to suit pipework design
- Standards licensed to AS4032.1 - Thermostatic Mixing Valves



### PRODUCT CODES

ATM725	Aquablend 2500 Thermostatic Mixing Valve 20mm FI Inlet 25mm MI Outlet
--------	---

### OPTIONS

- In Lockable Stainless Steel Cabinet & Lid
- Smart Flow® TMV Monitoring and Control System

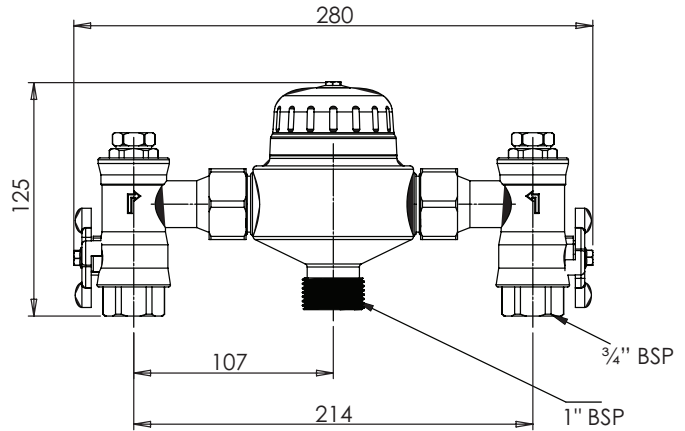
For more options see below or contact your Enware representative

Version 3.0\_\_25May22

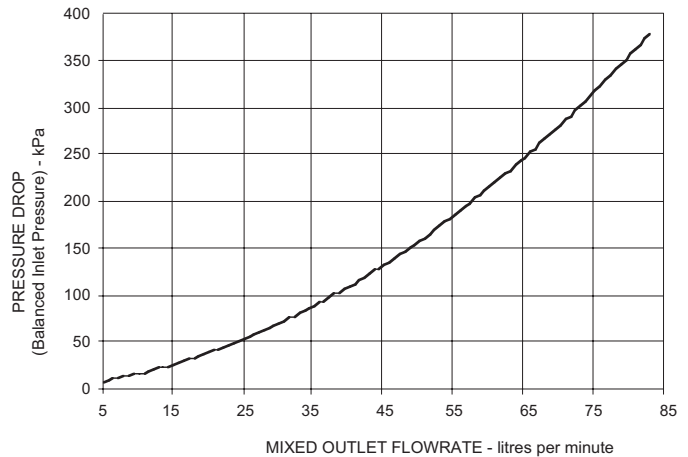
# Aquablend® 2500 Thermostatic Mixing Valve

## TECHNICAL INFORMATION

Thermostatic Temperature Range	Min 35°C Max 50°C (+/- 2°C) Set during installation/ commissioning
Dynamic Inlet Pressures *	Min 10 kPa Max 500 kPa 10% maximum dynamic pressure differential between hot and cold supplies
Static Inlet Pressures	Max. 1000kPa For testing purposes/ system commissioning
Hot Temperature Supply Range	Min 55°C Max 90°C
Cold Temperature Supply Range	Min 5°C Max 30°C <sup>^</sup>
Minimum Temperature Differential	10°C Between hot or cold supply and outlet mix temperature, required to ensure correct function of valve
Inlet Pressure Ratio *	H - PL = H' C - PL = C' H' : C' = Max 10:1 C' : H' = Max 10:1 H = Hot inlet pressure C = Cold inlet pressure PL = Pressure Loss
Inlet Size	3/4" BSP FI
Outlet Size	1" BSP MI
Flow Rates	Min. 6 L/min For stable outlet temperature  Max. 75 L/min @300 kPa pressure loss as per Flow Sizing Graph



**HEADLOSS CHARACTERISTICS OF AQUABLEND 2500 WITH INLET FITTINGS (mix temperature at 42°C at Valve Outlet)**



\*AS3500.4 clause 1.9.4.2 - The dynamic pressure differential between hot and cold supplies when mixed at a thermostatic mixing valve shall not exceed 10%.

<sup>^</sup> Where cold inlet temperature may exceed recommended range due to seasonal variation, a 5°C temperature differential between the inlet cold supply and outlet mixed temperature setting must be maintained.

\*\* Watermark approved under code TMV1019

Enware products are to be installed in accordance with the Plumbing Code of Australia and AS/NZS3500. Reference should also be made to the Australasian Health facility Guidelines (AHFG), ABCB and Local Government regulations when considering the choice of, and the installation of these products.

Enware Australia advises:

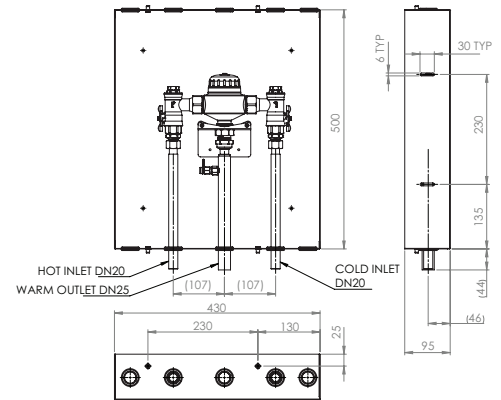
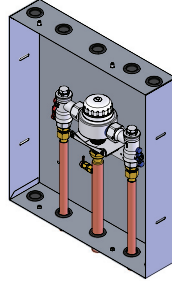
1. Due to ongoing Research and Development, specifications may change without notice. 2. Component specifications may change on some export models. 3. Refer to warranty statement for warranty details - [www.enware.com.au/warranty](http://www.enware.com.au/warranty)

Version 3.0\_\_25May22

# Aquablend® 2500 Thermostatic Mixing Valve in Stainless Steel Cabinet

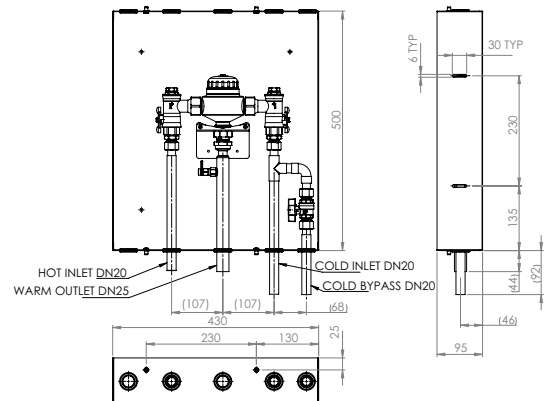
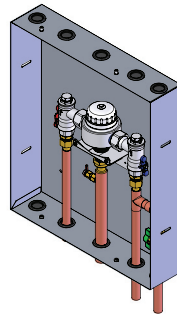
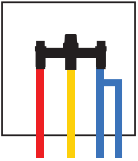
## TMV CABINET CONFIGURATIONS

### 3 Pipe Cabinet - 430 W x 500 H mm with Tails



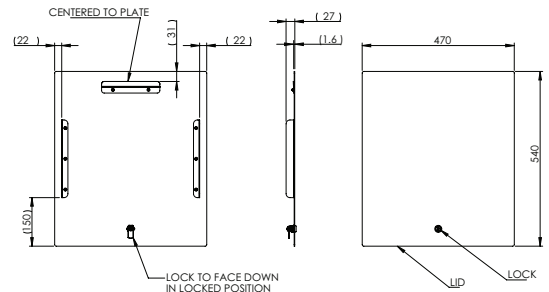
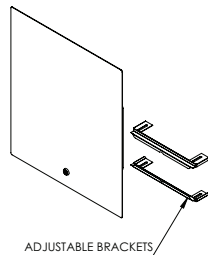
- ATMS727-430** In S/S cabinet (lid sold separately)
- ATMS727R-430** In S/S cabinet with S/S Recess Lid (brushed finish)
- ATMS727H-430** In S/S cabinet with S/S Hinged Lid (brushed finish)
- ATMS727SFH-430** In S/S cabinet with S/S Hinged Lid (brushed finish) with Smartflow mix chamber and probe fitted

### 4 Pipe Cabinet - 430 W x 500 H mm with Tails



- ATMS729-430** In S/S cabinet with cold water bypass (lid sold separately)

### CABINET LID - Recess lid to suit cabinet 430 W x 500 H mm



- ATMSRL-430** Recess lid stainless steel brushed finish
- ATMSRLPC-430** Recess lid powder coated

MATERIAL: 304 SS