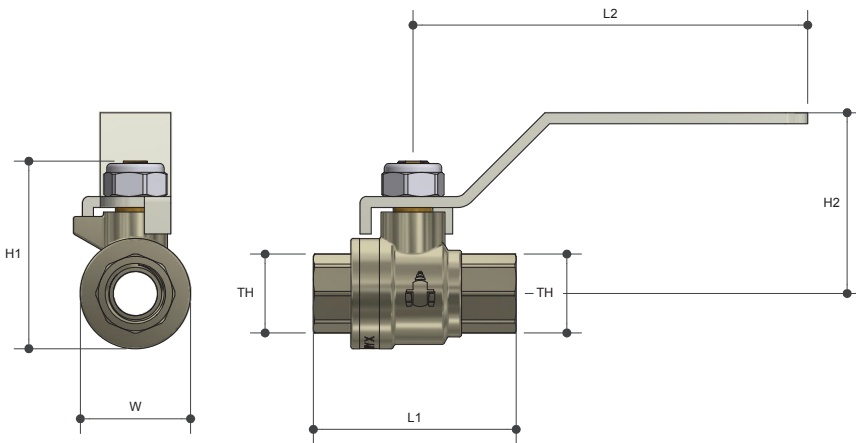


# GAS APPROVED BALL VALVE

Lever Handle FI X FI

Product Specifications



## Specifications

Working temperature 1 °C to 120 °C

Maximum pressure rating 2100kPa

## Sizing Chart (MM)

	L1	L2	H1	H2	W	TH
GBV04	40	44	39	36.2	18	Rp 1/8"
GBV06	46	89.5	42.5	41	25	Rp 1/4"
GBV10	46	92	44	43	21	Rp 3/8"
GBV15	58	101	48	44	30	Rp 1/2"
GBV20	66	101	55	48	37	Rp 3/4"
GBV25	61	101	64	52	46	Rp 1"
GBV32	91	140	80	71	58	Rp 1 1/4"
GBV40	102	140	92	77	69	Rp 1 1/2"
GBV50	121	140	108	85	84	Rp 2"
GBV65	150	232	143	110	108	Rp 2 1/2"
GBV80	177	232	166	122	130	Rp 3"
GBV100	212	232	195	136	160	Rp 4"

## Features

AGA approved (AS4617-Type 1)

Full bore

100% pressure tested

Available in sizes 4mm (1/8") to 100mm (4")

Blow proof spindle

Stainless Steel handle

Tested and certified to AS 4617

## Material Chart

Part	Material
Body	DR Brass
Seal	PTFE
Ball (4-40MM)	DR Brass
Ball (50-100MM)	Stainless Steel
Spindle (4-40MM)	DR Brass
Spindle (50-100MM)	Stainless Steel
Bonnet	DR Brass
O Ring	HNBR
Handle	Stainless Steel
Lock Nut	Stainless Steel

For more information on Logi Valve, contact:

Austworld 15 Activity Crescent, Molendinar, Queensland 4214 Australia

P. 1300 780 430

F. 1300 780 441

E. info@austworld.com.au

Austworld Pty Ltd. All rights reserved 2018. Austworld and Logi Valve are registered trade mark belonging to Austworld Pty Ltd.

Revision no. 1.0 | 24/05/2021

