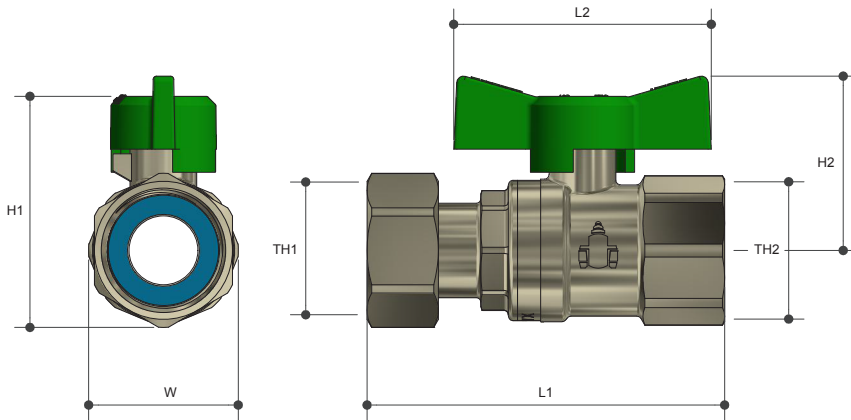


SWIVEL NUT BALL VALVE

FI Water

Product Specifications



Specifications

Working temperature -20°C to 120°C

Maximum pressure rating 2500kPa

Sizing Chart (MM)

	L1	L2	H1	H2	W	TH1	TH2
H15FW	78	56	50	38	33	G 3/4"	Rp 3/4"
H20FW	74	56	48	38	30	G 1/2"	Rp 1/2"

Features



Watermark

Full bore

100% pressure tested

Available in sizes 15mm (1/2") to 20mm (3/4")

Blow proof spindle

Swivel nut

Tested and certified to WMTS012

Material Chart

Part	Material
Body	DR Brass
Body Cap	DR Brass
Seal	PTFE
Ball	DR Brass
Handle	Aluminium
Retaining Ring	Stainless Steel
O Ring	FKM

For more information on Logi Valve, contact:
Austworld 15 Activity Crescent, Molendinar, Queensland 4214 Australia

P. 1300 780 430 F. 1300 780 441 E. info@austworld.com.au

Austworld Pty Ltd. All rights reserved 2018. Austworld and Logi Valve are registered trade mark belonging to Austworld Pty Ltd.

