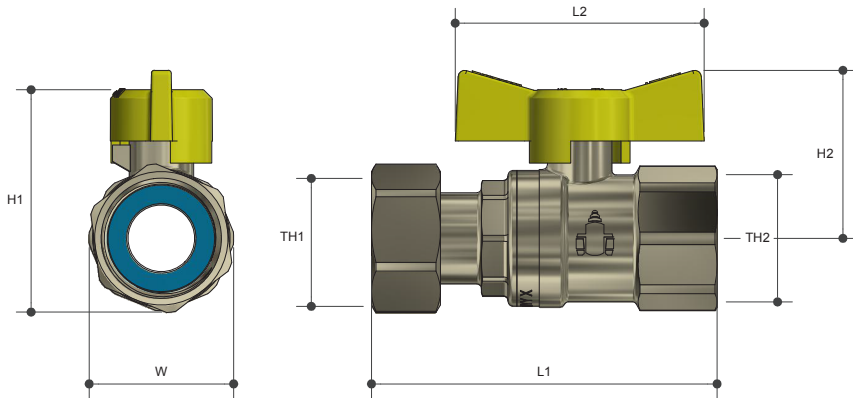


# SWIVEL NUT BALL VALVE

## Product Specifications



### Specifications

Working temperature -20°C to 120°C

Maximum pressure rating 2100kPa

### Sizing Chart (MM)

	L1	L2	H1	H2	W	TH1	TH2
H15FG	74	56	49	38	30	G 1/2"	Rp 1/2"
H20FG	78	56	50	38	33	G 3/4"	Rp 3/4"

### Features

AGA approved

Full bore

100% pressure tested

Available in sizes 15mm (1/2") to 20mm (3/4")

Blow proof spindle

Swivel nut

Tested and certified to AS 4617

### Material Chart

Part	Material
Body	DR Brass
Body Cap	DR Brass
Seal	PTFE
Ball	DR Brass
Handle	Aluminium
Retaining Ring	Stainless Steel
O Ring	HNBR

For more information on Logi Valve, contact:  
Austworld 15 Activity Crescent, Molendinar, Queensland 4214 Australia

P. 1300 780 430 F. 1300 780 441 E. info@austworld.com.au

Austworld Pty Ltd. All rights reserved 2018. Austworld and Logi Valve are registered trade mark belonging to Austworld Pty Ltd.

