

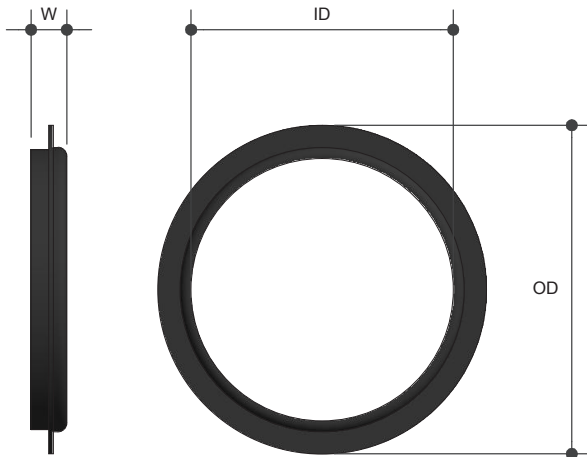
Plug and Waste Accessories

RUBBER SEAL

PW32RS | PW40RS

Product Specifications

MT MONOPOLY™
T A P W A R E



Specifications

Suits 32mm and 40mm

Features

Rubber Material

Sizing Chart (MM)

	OD	ID	W	SIZE
PW32RS	37	30	4	32MM
PW40RS	44	36	4	40MM

For more information on Monopoly Tapware, contact:
Austworld 15 Activity Crescent, Molendinar, Queensland 4214 Australia
P. 1300 780 430 F. 1300 780 441 E. info@austworld.com.au

Austworld Pty Ltd. All rights reserved 2018. Austworld and Monopoly Tapware are registered trade mark belonging to Austworld Pty Ltd.

AW
AUSTWORLD