

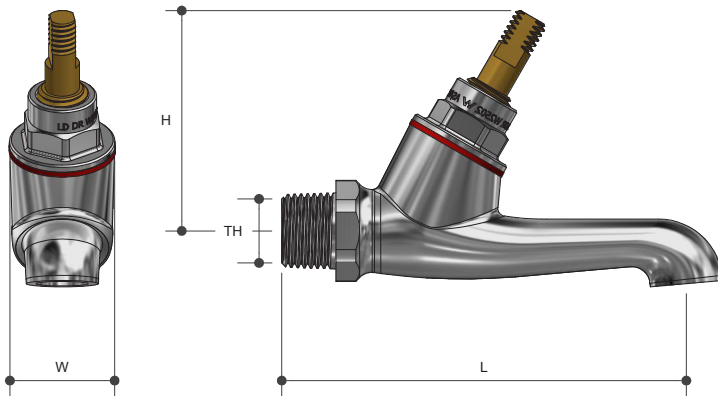
Unstyled Tapware

BIB TAP MI 45°

ST07

Product Specifications

MT MONOPOLY™
T A P W A R E



Specifications

Maximum working temperature 75°C

Maximum pressure rating 1000kPa

Features



Watermark approved

Chrome plated finish

Tested and certified to AS/NZS 3718

Sizing Chart (MM)

ST07	L	H	W	TH	SIZE
ST07	112	61	30	R 1/2"	15MM



For more information on Monopoly Tapware, contact:
Austworld 15 Activity Crescent, Molendinar, Queensland 4214 Australia
P. 1300 780 430 F. 1300 780 441 E. info@austworld.com.au

Austworld Pty Ltd. All rights reserved 2018. Austworld and Monopoly Tapware are registered trade mark belonging to Austworld Pty Ltd.

