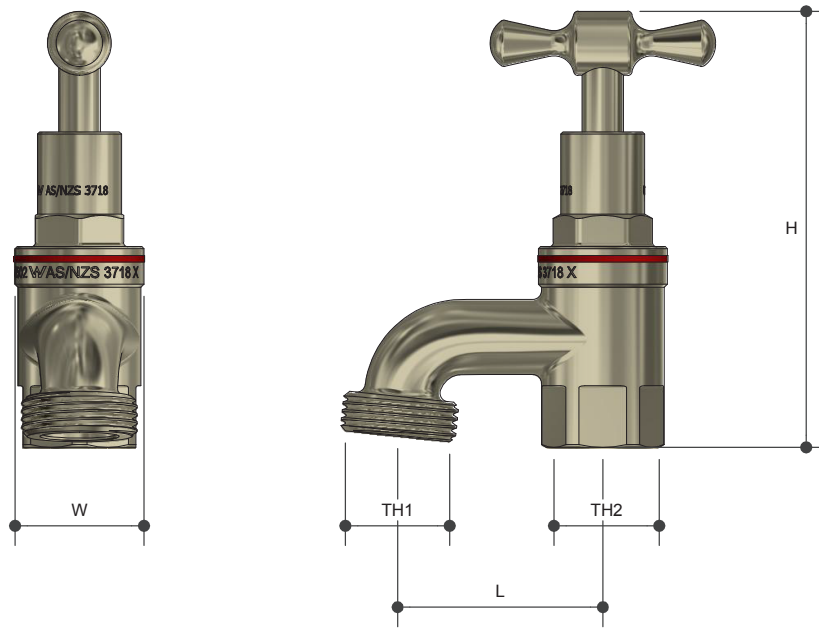


# HOSE TAPS

Standpipe FI

Product Specifications

Metforge®  
brassware



## Specifications

Working temperature 1 °C to 75 °C

Max. pressure rating 1000kPa

## Sizing Chart (MM)

| TH60 | L  | H  | W  | TH1    | TH2    |
|------|----|----|----|--------|--------|
|      | 47 | 99 | 29 | G 3/4" | G 1/2" |

## Features

Watermark approved

Nickel plated finish

Double O-ring spindle

Anti-vandal protection

Tested and certified to AS/NZS 3718

## Material Chart

| Part         | Material |
|--------------|----------|
| Body         | DR Brass |
| Jumper Valve | Nylon    |
| Washer       | Fibre    |
| Bonnet       | DR Brass |
| O Ring       | NBR      |
| Spindle      | DR Brass |
| Cover        | DR Brass |
| Handle       | Brass    |
| Seal         | EPDM     |

For more information on Metforge, contact:

Austworld 15 Activity Crescent, Molendinar, Queensland 4214 Australia

P. 1300 780 430

F. 1300 780 441

E. info@austworld.com.au

Austworld Pty Ltd. All rights reserved 2018. Austworld and Metforge are registered trade mark belonging to Austworld Pty Ltd.

AUSTWORLD