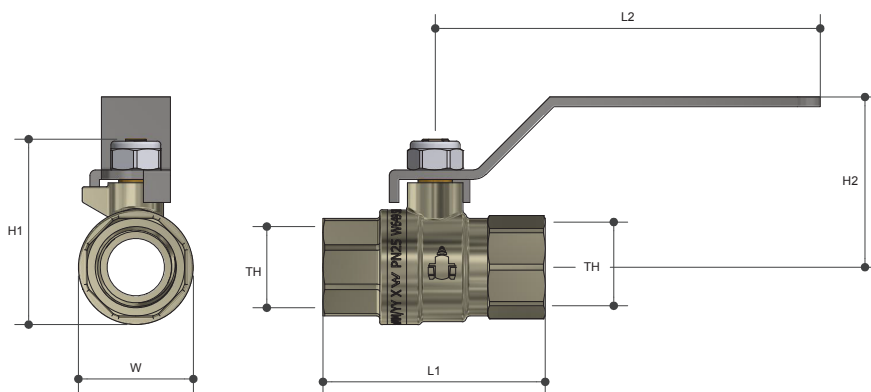


# DUAL APPROVED BALL VALVE

Lever Handle FI X FI

Product Specifications



## Specifications

Working temperature -20°C to 120°C

Maximum pressure rating Water 2500kPa Gas 2100kPa

## Sizing Chart (MM)

|       | L1  | L2  | H1  | H2  | W   | TH        |
|-------|-----|-----|-----|-----|-----|-----------|
| W06F  | 48  | 87  | 47  | 44  | 25  | Rp 1/4"   |
| W15F  | 58  | 101 | 48  | 44  | 30  | Rp 1/2"   |
| W20F  | 66  | 101 | 48  | 48  | 37  | Rp 3/4"   |
| W25F  | 81  | 101 | 55  | 52  | 46  | Rp 1"     |
| W32F  | 91  | 140 | 80  | 71  | 58  | Rp 1 1/4" |
| W40F  | 102 | 140 | 92  | 77  | 69  | Rp 1 1/2" |
| W50F  | 121 | 140 | 108 | 85  | 84  | Rp 2"     |
| W65F  | 150 | 232 | 143 | 110 | 108 | Rp 2 1/2" |
| W80F  | 177 | 232 | 166 | 122 | 130 | Rp 3"     |
| W100F | 212 | 232 | 195 | 136 | 160 | Rp 4"     |

## Features

Watermark and AGA approved (AS4617-Type-1)

Full bore

100% pressure tested

Available in sizes 6mm (1/4") to 100mm (4")

Blow proof spindle

Tested and certified to WMTS012

## Material Chart

| Part               | Material        |
|--------------------|-----------------|
| Body               | DR Brass        |
| Seal               | PTFE            |
| Ball (15-40MM)     | DR Brass        |
| Ball (50-100MM)    | Stainless Steel |
| Spindle (15-40MM)  | DR Brass        |
| Spindle (50-100MM) | Stainless Steel |
| O Ring             | FKM             |
| Handle             | Stainless Steel |
| Lock Nut           | Stainless Steel |
| Bonnet             | DR Brass        |

For more information on Logi Valve, contact:  
Austworld 15 Activity Crescent, Molendinar, Queensland 4214 Australia

P. 1300 780 430 F. 1300 780 441 E. info@austworld.com.au

Austworld Pty Ltd. All rights reserved 2018. Austworld and Logi Valve are registered trade mark belonging to Austworld Pty Ltd.

