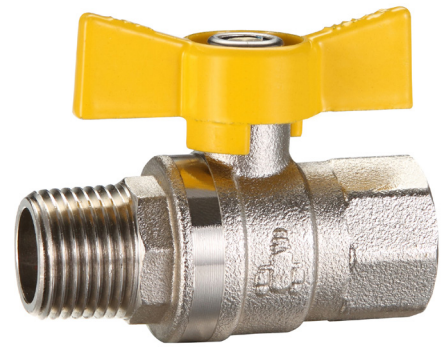
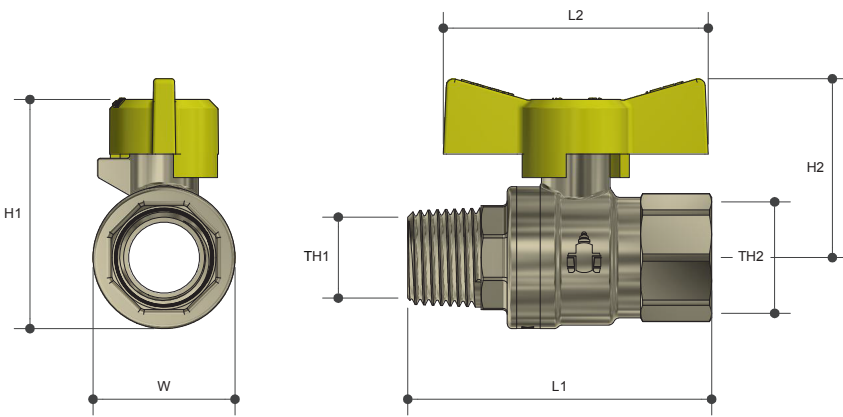


GAS APPROVED BALL VALVE

Butterfly Handle MI X FI

Product Specifications



Specifications

Working temperature 1 °C to 120 °C

Maximum pressure rating 2100 kPa

Sizing Chart (MM)

	L1	L2	H1	H2	W	TH1	TH2
WB15M	64	56	48	38	30	R 1/2"	Rp 1/2"
WB20M	73	56	55	41	37	R 3/4"	Rp 3/4"
WB25M	87	56	64	45	46	R 1"	Rp 1"

Features

AGA approved

Full bore

100% pressure tested

Available in sizes 15mm (1/2") to 25mm (1")

Blow proof spindle

Aluminium handle

Tested and certified to AS 4617

Material Chart

Part	Material
Body	DR Brass
Seal	PTFE
Ball	DR Brass
Bonnet	DR Brass
Spindle	DR Brass
O Ring	HNBR
Handle	Aluminium
Lock Nut	Stainless Steel

For more information on Logi Valve, contact:
Austworld 15 Activity Crescent, Molendinar, Queensland 4214 Australia

P. 1300 780 430 F. 1300 780 441 E. info@austworld.com.au

Austworld Pty Ltd. All rights reserved 2018. Austworld and Logi Valve are registered trade mark belonging to Austworld Pty Ltd.

Revision no. 1.0 | 24/05/2021

