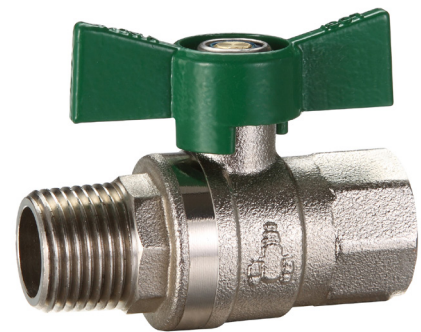
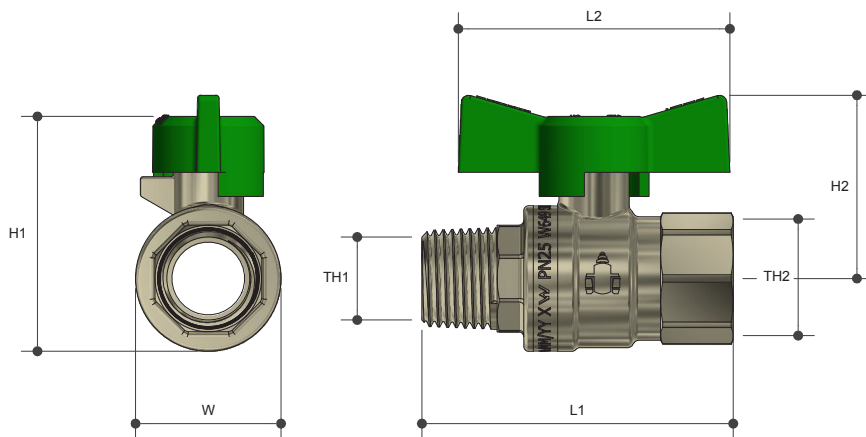


WATERMARKED BALL VALVE

Butterfly Handle MI X FI

Product Specifications



Specifications

Working temperature 1°C to 95°C

Maximum pressure rating WATER 2500kPa GAS 2100 kPa

Sizing Chart (MM)

	L1	L2	H1	H2	W	TH1	TH2
WB15MG	64	56	48	38	30	R 1/2"	Rp 1/2"
WB20MG	73	56	55	41	37	R 3/4"	Rp 3/4"
WB25MG	87	56	64	45	46	R 1"	Rp 1"

Features

Watermarked and AGA approved

Full bore

100% pressure tested

Available in sizes 15mm (1/2") to 25mm (1")

Blow proof spindle

Tested and certified to WMTS012

Material Chart

Part	Material
Body	DR Brass
Seal	PTFE
Ball	DR Brass
Bonnet	DR Brass
Spindle	DR Brass
O Ring	FKM
Handle	Aluminium
Lock Nut	Stainless Steel
Gland Nut	PTFE

For more information on Logi Valve, contact:
 Austworld 15 Activity Crescent, Molendinar, Queensland 4214 Australia
 P. 1300 780 430 F. 1300 780 441 E. info@austworld.com.au

Austworld Pty Ltd. All rights reserved 2018. Austworld and Logi Valve are registered trade mark belonging to Austworld Pty Ltd.

