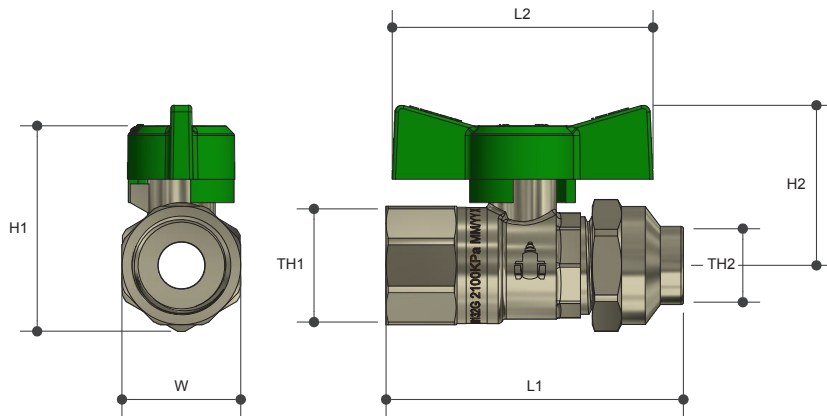


WATERMARKED BALL VALVE

Butterfly Handle FL X FI

Product Specifications



Specifications

Working temperature -20°C to 120°C

Maximum pressure rating Water 2500kPa Gas 2100kPa

Sizing Chart (MM)

	L1	L2	H1	H2	W	TH1	TH2
WB15C	64	56	44	34	26	Rp 1/2"	DN15
WB20C	76	56	54	38	31	Rp 3/4"	DN20

Features

Watermark and AGA approved

Full bore

100% pressure tested

Available in sizes 15mm (1/2") to 20mm (3/4")

Blow proof spindle

Tested and certified to WMTS012

Material Chart

Part	Material
Body	DR Brass
Seal	PTFE
Ball	DR Brass
Bonnet	DR Brass
Spindle	DR Brass
O Ring	FKM
Handle	Aluminium
Lock Nut	Stainless Steel
Nut	DR Brass

For more information on Logi Valve, contact:
Austworld 15 Activity Crescent, Molendinar, Queensland 4214 Australia
P. 1300 780 430 F. 1300 780 441 E. info@austworld.com.au

Austworld Pty Ltd. All rights reserved 2018. Austworld and Logi Valve are registered trade mark belonging to Austworld Pty Ltd.

