

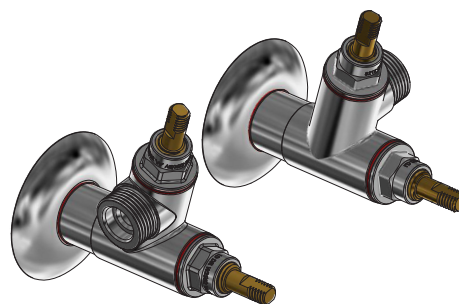
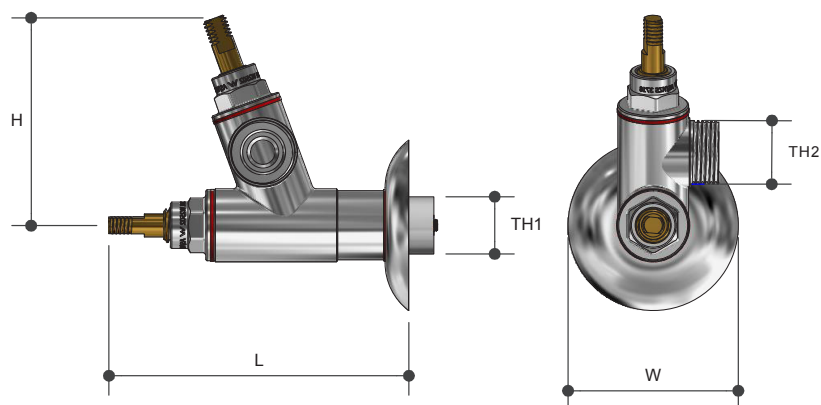
Unstyled Tapware

WASHING MACHINE CONVERSION UNIT

WMCL | WMCR

Product Specifications

MT MONOPOLY™
T A P W A R E



Specifications

Maximum working temperature 75°C

Maximum pressure rating 1000kPa

Features



Watermark approved

Chrome plated finish

Tested and certified to AS/NZS 3718

LIC: WMKA2023

Sizing Chart (MM)

	L	H	W	TH1	TH2
WMCL	130	85	70	G 1/2"	G 3/4"
WMCR	130	85	70	G 1/2"	G 3/4"

For more information on Monopoly Tapware, contact:
Austworld 15 Activity Crescent, Molendinar, Queensland 4214 Australia

P. 1300 780 430 F. 1300 780 441 E. info@austworld.com.au

Austworld Pty Ltd. All rights reserved 2018. Austworld and Monopoly Tapware are registered trade mark belonging to Austworld Pty Ltd.

AW
AUSTWORLD