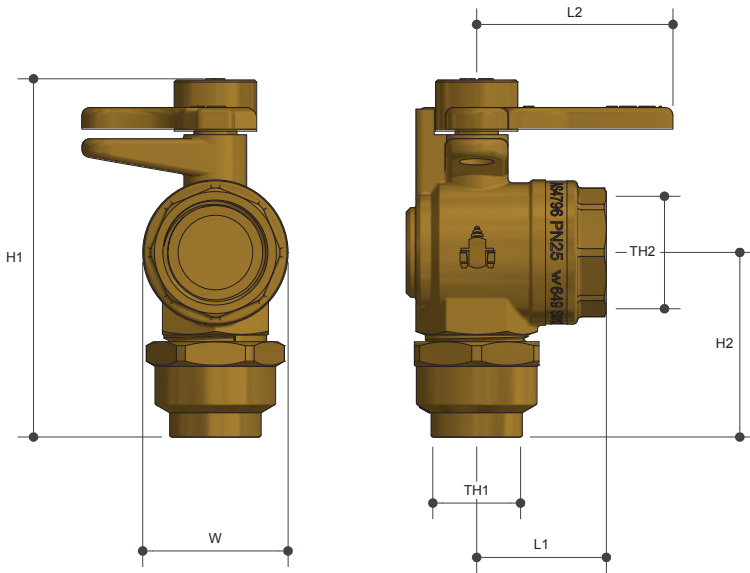


# WATER SERVICE BALL VALVES

Right Angle FL X FI Lockable

Product Specifications



## Specifications

Working temperature 1°C to 90°C

Max. pressure rating 2500kPa

## Sizing Chart (MM)

	L1	L2	H1	H2	W	TH1	TH2
WRA20	33	50	91	47	37	DN20	Rp 3/4"
WRA25	40	56	103	56	46	DN25	Rp 1"

## Features

Watermark approved

DR Brass

Full Bore

100% pressure tested

Lockable ON and OFF

WSAA Appraised

Tested and certified to AS 4796

## Material Chart

Part	Material
Body	DR Brass
Cap	DR Brass
Seal	PTFE
Ball	Stainless Steel
Handle	DR Brass
O Ring	FKM
Retaining Ring	PA
Nut	DR Brass

For more information on Logi Civil, contact:  
 Austworld 15 Activity Crescent, Molendinar, Queensland 4214 Australia  
 P. 1300 780 430 F. 1300 780 441 E. info@austworld.com.au

Austworld Pty Ltd. All rights reserved 2018.  
 Austworld and Logi Civil are registered trade mark belonging to Austworld Pty Ltd.

