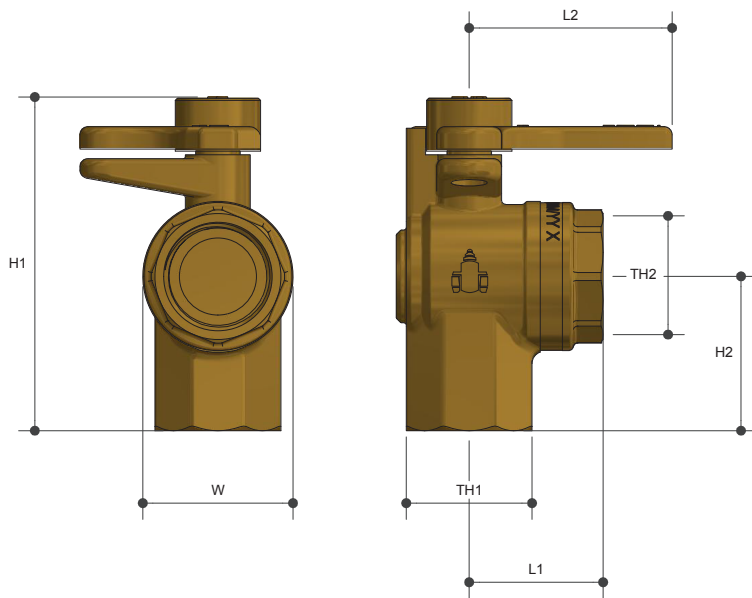


# WATER SERVICE BALL VALVES

Right Angle FI X FI Lockable

## Product Specifications



### Specifications

Working temperature 1°C to 90°C

Max. pressure rating 2500kPa

### Sizing Chart (MM)

	L1	L2	H1	H2	W	TH1	TH2
WRA20F	33	50	82	38	37	Rp 3/4"	Rp 3/4"
WRA25F	40	56	92	42	46	Rp 1"	Rp 1"



### Features

Watermark approved

DR Brass

Full Bore

100% pressure tested

Lockable ON and OFF

WSAA Appraised

Tested and certified to AS 4796

### Material Chart

Part	Material
Body	DR Brass
Cap	DR Brass
Seal	PTFE
Ball	Stainless Steel
Handle	DR Brass
O Ring	FKM
Retaining Ring	PA

For more information on Logi Civil, contact:  
 Austworld 15 Activity Crescent, Molendinar, Queensland 4214 Australia  
 P. 1300 780 430 F. 1300 780 441 E. info@austworld.com.au

Austworld Pty Ltd. All rights reserved 2018.  
 Austworld and Logi Civil are registered trade mark belonging to Austworld Pty Ltd.

