

MIXX Basix Wall Plate Mixer Installation Instructions

Please Note

- Connections brazed directly onto the mixer may cause excessive heat and permanent damage and should not be done.
- All pipework must be flushed thoroughly before installation as any foreign material, such as sand or dirt, may block the flow regulating device and reduce the flow of water

Installation Instructions

1. Fit mixer breach onto a suitable mounting plate or noggin in the wall, ensuring outlet and mixer are level, then secure with screws using the holes in lugs on breach as shown in diagram 1. When facing the front of the mixer the connections should be as follows;
 - Cold Water Inlet Connection on Right
 - Hot Water Inlet Connection Bottom
2. Remove protective packaging from mixer then gently slide wall plate over mixer body into position flush against wall, as shown in diagram 2.
3. Apply teflon thread tape to male thread on spout then gently screw spout onto female outlet thread, through hole in wall plate as shown in diagram 3, ensuring spout outlet is facing down once tightened.
4. Push Handle into position on mixer body as shown in diagram 4, then secure with screw and fit cap into position.

Important Information

- Inlet pressure for hot and cold water should be equal
- Inlet pressure range:150-1000kPa
Regulation: 500 kPa is the maximum operating pressure allowed at any outlet within a building.(Ref.AS/ NZS 3500.1-2003,clause 3.3.4)
- Maximum hot water temperature:80 C

MIXX
basix

Diagram 1 - Rear View

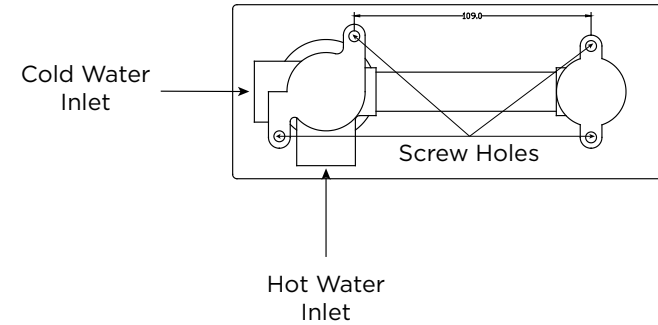


Diagram 2 - Front View

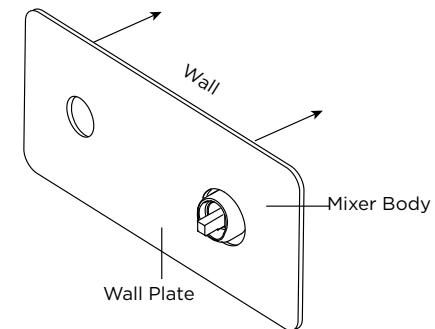


Diagram 3 - Front View

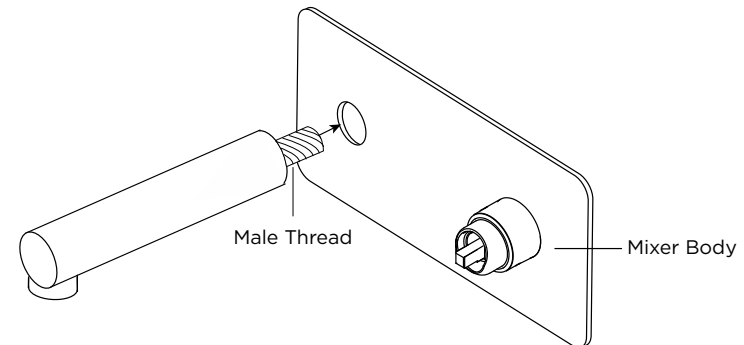


Diagram 4 - Side View

