

INSTALLATION INSTRUCTIONS

UNICOLOUR WALL PLATE / DUAL WALL PLATE MIXER

IMPORTANT INFORMATION

- Connections brazed onto the mixer may cause excessive heat and permanent damage and should not be done
- All pipework must be flushed thoroughly before installation as any foreign material, such as sand or dirt, may block the flow regulating device and reduce the flow of water
- Inlet pressure for hot and cold water should be equal
- Inlet pressure range: 150-1500kPa
- **Regulation: 500kPa is the maximum operating pressure allowed at any outlet within a building (Ref. AS/NZS3500.1-2003, clause 3.3.4)**
- Maximum hot water temperature: 80°C

INSTALLATION INSTRUCTIONS

STEP 1. INSTALL UNICOLOUR MIXER BODY

Install UniColour Mixer Body onto suitable mounting plate or noggin in cavity wall:

- Ensure UniColour Mixer Body is level and square to wall, so Trim Kit will sit correctly in finished position
- Secure UniColour Mixer Body to mounting with 6 x screws using the 6 x holes in base, as shown in Fig. 1 and 2
- When facing the front of the mixer ensure the connections are as follows:
 - ▶ **Cold** Water Inlet connection on right
 - ▶ **Hot** Water Inlet connection on bottom
 - ▶ **Mixed** Water Outlet via breach to spout connection point
- Leave Protective Plastic Sleeve (Fig. 1, 10) on Cartridge (Fig. 1, 7) during water-proofing/sheeting/tiling. Only to be removed when installing Trim Kit (STEP 2). FOR EASY REMOVAL, ENSURE WATERPROOFING MATERIAL DOES NOT GET ON PROTECTIVE PLASTIC SLEEVE.

STEP 2. INSTALL UNICOLOUR MIXER BODY TRIM KIT

Install Trim Kit onto Mixer Body (after water-proofing/sheeting/tiling is complete):

- Remove Protective Plastic Sleeve (Fig. 1, 10)
- Gently slide Housing Cover Trim (Fig. 1, 3) onto Mixer Body Housing (Fig. 1, 9)
- Screw Dome Nut Trim (Fig. 1, 2) onto Threaded Nut (Fig. 1, 8)
(See over page for Installation of Wall Plate, Lever and Spout)

STEP 3. TEST MIXER

- Test mixer in compliance with AS/NZS3500.1-2003 to ensure it is leak-free and is providing correct water flow and temperature at outlet.

Fig. 1 - UniColour Wall Plate / Dual Wall Plate Mixer (Exploded View)

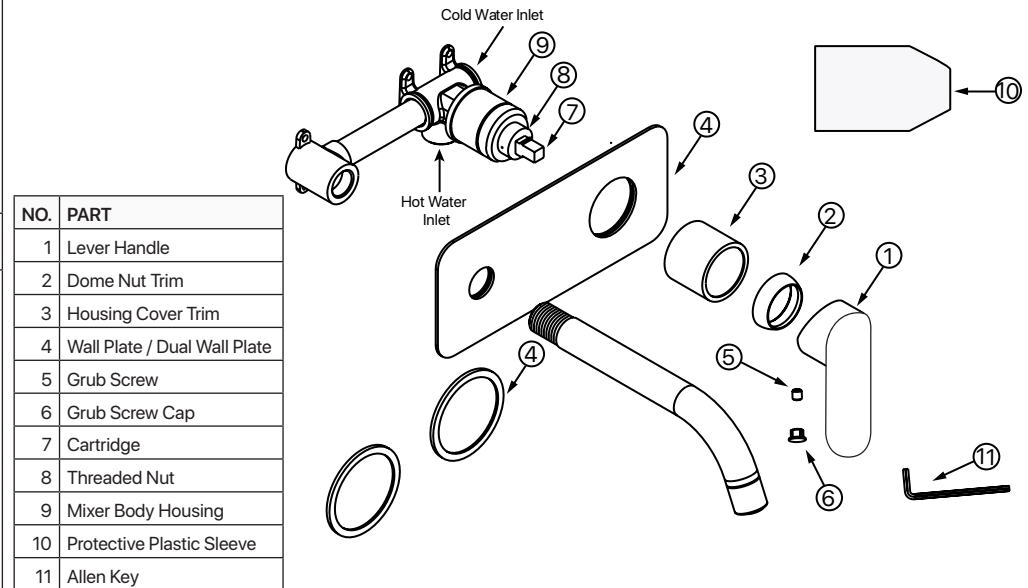
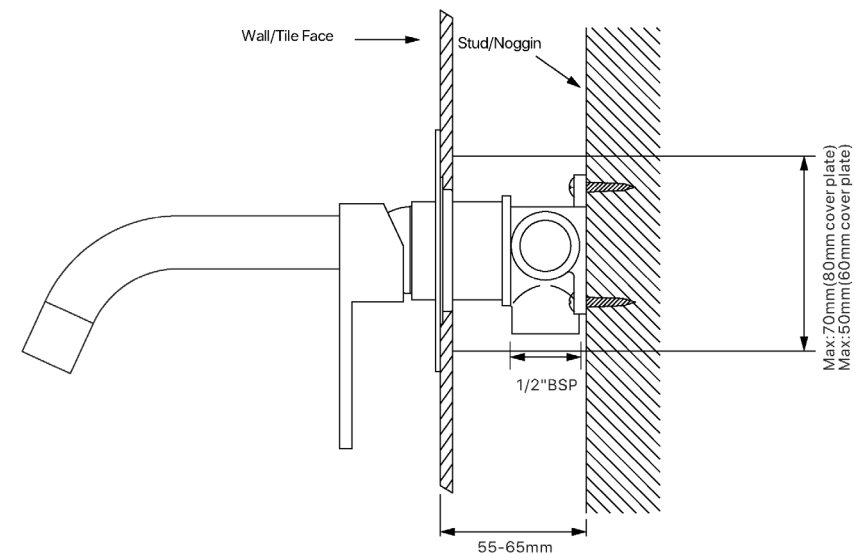


Fig. 2 - UniColour Wall Plate / Dual Wall Plate Mixer (Side View)

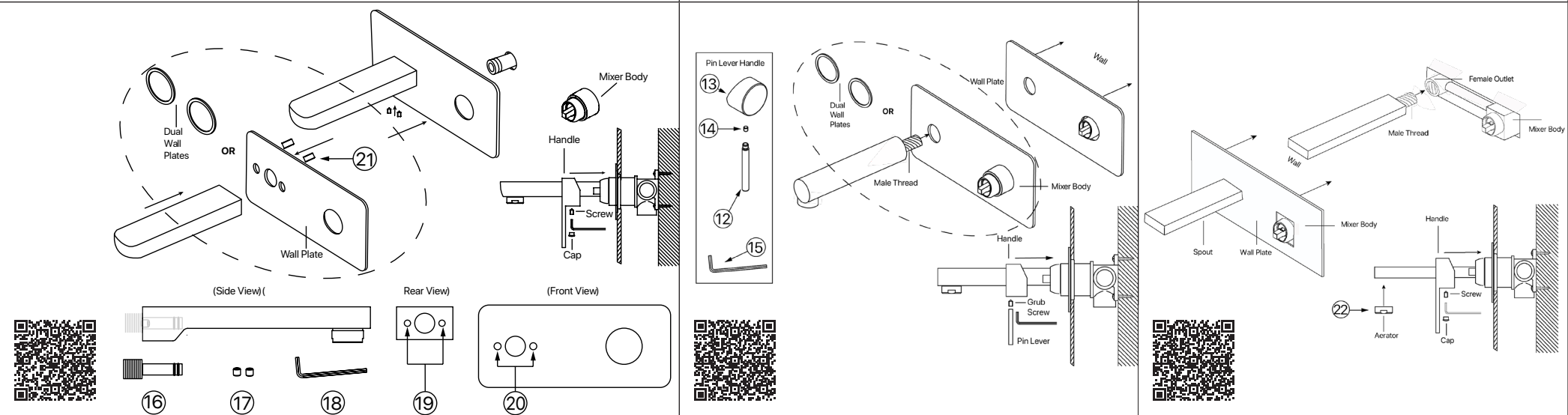


INSTALLATION INSTRUCTIONS

UNICOLOUR WALL PLATE / DUAL WALL PLATE MIXER

SAFFRON	ANISE / ALOE	THYME / SAGE
<p>2.d) Spigot: Insert male threaded spigot (Fig. 3, 16) into female threaded outlet point, by applying teflon threaded tape (or suitable joining material) to male thread on spigot</p> <p>2.e) Wall Plate: Gently slide Wall Plates or Dual Wall Plates (Fig. 1, 4) onto Mixer Body Housing (Fig. 1, 9) ensuring spout hole is aligned with spout outlet point, push until the Wall Plates sit flush with wall (as shown in Fig. 2)</p> <p>2.f) Spout: Screw Grub Screws (Fig. 3, 21) to base of Spout either side of inlet hole (Fig. 3, 19), ensure these Grub Screws protrude enough from base of spout to act as location pins in Wall Plate holes (Fig. 3, 20) then push Spout onto Spigot (Fig. 3, 16), ensuring Grub Screws (Fig. 3, 21) align with Wall Plate holes (Fig. 3, 20) and Spout is sitting flush against Wall Plate, then tighten into position from underneath with 2 Grub Screws (Fig. 3, 17) using Allen Key (Fig. 3, 18) provided.</p> <p>2.g) Lever Handle: Push Lever Handle (Fig. 1, 1) into position on Cartridge (Fig. 1, 7), ensuring it is fully pushed on, then tighten Lever Handle (Fig. 1, 1) into position with Grub Screw (Fig. 1, 5) using Allen Key (Fig. 1, 11) provided, lastly fit Grub Screw Cap (Fig. 1, 6) into position</p> <p>2.h) FOR FUTURE SERVICING, ENSURE WATERPROOFING MATERIAL DOES NOT GET ON THREADED SPIGOT CONNECTION POINT</p>	<p>2.d) Wall Plate: Gently slide Wall Plate or Dual Wall Plates (Fig. 1, 4) onto Mixer Body Housing (Fig. 1, 9) ensuring spout hole is aligned with spout outlet point, push until the Wall Plates sit flush with wall (as shown in Fig. 2)</p> <p>2.e) Pin Lever Handle: Remove Pin Lever (Fig. 4, 12) by unscrewing anti-clockwise, push Handle (Fig. 4, 13) into position on Cartridge (Fig. 1, 7), ensuring it is fully pushed on, then screw Grub Screw (Fig. 4, 14) into Handle (Fig. 4, 13) using Allen Key (Fig. 4, 15) provided, then rescrew Pin Lever (Fig. 4, 12) on clockwise (no Grub Screw Cap required)</p> <p>2.f) Threaded Spout: Fit spout to female threaded outlet point, by applying teflon threaded tape (or suitable joining material) to male thread on spout then gently screw spout onto female outlet thread, through hole in Wall Plate, ensuring aerator is facing downwards once tightened</p>	<p>2.d) Threaded Spout: Fit spout to female threaded outlet point, by applying teflon threaded tape (or suitable joining material) to male thread on spout then gently screw spout onto female outlet thread, ensuring aerator hole is facing downwards once tightened</p> <p>2.e) Wall Plate: Gently slide Wall Plate or Dual Wall Plates (Fig. 1, 4) onto Mixer Body Housing (Fig. 1, 9) and over spout, push until the Wall Plates sit flush with wall (as shown in Fig. 2)</p> <p>2.f) Aerator: Screw Aerator (Fig. 5, 22) into position on spout</p> <p>2.g) Lever Handle: Push Lever Handle (Fig. 1, 1) into position on Cartridge (Fig. 1, 7), ensuring it is fully pushed on, then tighten Lever Handle (Fig. 1, 1) into position with Grub Screw (Fig. 1, 5) using Allen Key (Fig. 1, 11) provided, lastly fit Grub Screw Cap (Fig. 1, 6) into position</p>

Fig. 3 - Saffron Wall Plate / Dual Wall Plate Mixer **Fig. 4 - Anise & Aloe Wall Plate / Dual Wall Plate Mixers** **Fig. 5 - Thyme / Sage Wall Plate Mixers**



WHEN USING OVER BATH: UniColour Wall Plate Mixers are supplied standard with Flow Restrictors for use over basins, however, when fitted over a bath, the Flow Restrictor is not required and removal will assist with bath filling

REMOVE FLOW RESTRICTOR FROM SPIGOT:
PRIOR TO SPIGOT AND SPOUT INSTALLATION, USE A SCREWDRIVER (OR OTHER LONG NARROW IMPLEMENT) TO PUSH FLOW RESTRICTOR OUT OF BASE OF SPIGOT.

REMOVE FLOW RESTRICTOR FROM AERATOR:
UNSCREW AERATOR FROM SPOUT, REMOVE FLOW RESTRICTOR FROM INSIDE AERATOR, THEN RE-SCREW AERATOR BACK INTO PLACE. CAN BE DONE AFTER THE PRODUCT IS INSTALLED (OR AT ANY TIME DURING INSTALLATION).

REMOVE FLOW RESTRICTOR FROM SPOUT:
PRIOR TO SPOUT INSTALLATION, USE A SCREWDRIVER (OR OTHER LONG NARROW IMPLEMENT) TO REMOVE FLOW RESTRICTOR FROM INSIDE THREADED SPOUT CONNECTOR.