

Hob Mounted Bubbler - spare part

A hob mounted self closing bubbler for dispensing drinking water from water chillers.

BUB290

Adjustable flow control allows the height water stream to be set according to site supply conditions. Operated by a push button.

Available as a spare part for Enware Water Chillers

FEATURES

- Vandal resistant design
- Self-closing mechanism
- DR Brass construction
- Integral adjustable flow regulator



Product Codes

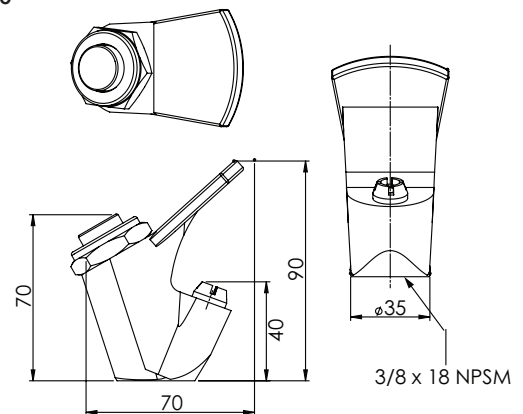
BUB290	Outlet (Push Button)
BUB290B	Outlet (Push Button) with 1/2" BSP (15mm) male inlet connection

Technical Information

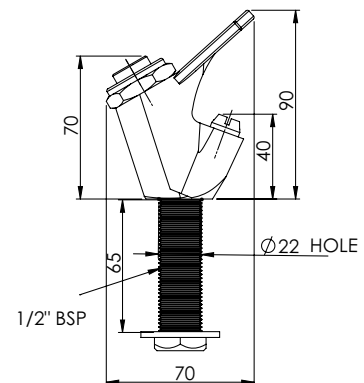
Inlet Connection	3/8"x18 NPSM Female (BUB290) 1/2" BSP Male (BUB290B)
Recommended Working Pressure	100- 500 kPa
Flow Rate	2 l/minute (adjustable)
Recommended Temperature Range	5-30 °C

Enware tapware must be installed in accordance with the provisions of AS/NZS3500 and any relevant local regulations. Installations not complying with AS/NZS3500 may void the product and performance warranty provisions. The performance of Enware AS/NZS 3718 tapware, in many cases, exceeds the plumbing system design requirements of the Plumbing Code of Australia and AS/NZS 3500.

BUB290



BUB290B



Version: Jun 18

Call 1300 369 273
www.enware.com.au

Enware Australia Pty Limited
9 Endeavour Rd Caringbah NSW 2229 Australia
Ph: 02 8536 4000 info@enware.com.au

