

# Concealed Spindle Recess Set with SP110 Swivel Aerated Spout

Concealed spindle tapware series is robust and vandal resistant. The ergonomically designed handle features a dress skirt which conceals the anti-vandal handle fixing and spindle.

Ideal for commercial, institutional and public amenity applications.

## CS315

### FEATURES:

- High quality dezincification resistant (DR) brass construction
- Vandal-resistant internal locking ring secures the handle which requires special key to release (key supplied)
- Serviceable with all wearing components replaceable, thus providing an even longer life
- Supplied complete with handles, buttons and outlet
- Heavy duty bright chrome
- WELS 3 Star (8 lpm) water efficiency rating supplied as standard. Also available in 5 (6 lpm) Star rating.



### Product Codes

CS315	Jumper Valve
CSQ315	1/2 turn Ceramic Disc



### Technical Information

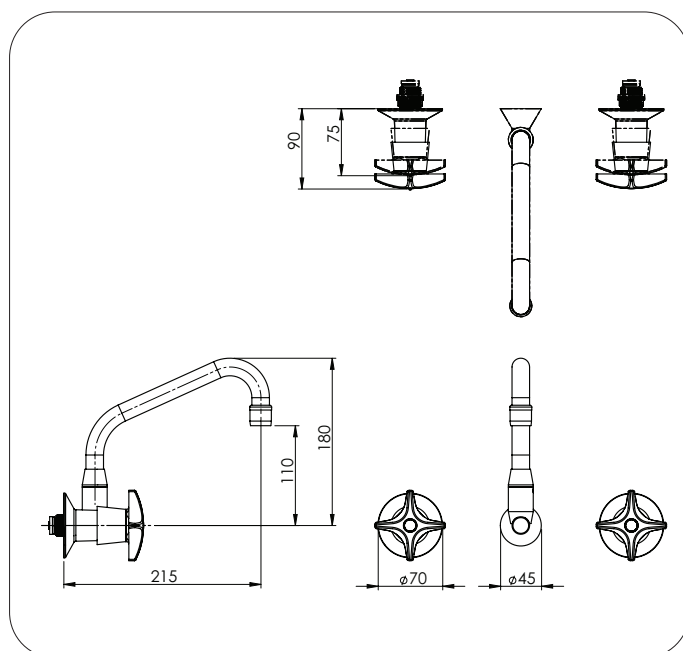
Working Pressure Range Ceramic Disc	50-800kPa
	500kPa Max (PCA)*
Working Pressure Range Jumper Valve	30-1200kPa
	500kPa Max (PCA)*
Maximum Working Temperature*	Ceramic Disc - 85°C
	Jumper Valve - 95°C

\*Enware products are to be installed in accordance with the Plumbing Code of Australia and AS/NZS3500.

Reference should also be made to the Australasian Health facility Guidelines (AusHFG), ABCB Regulations and Local Building Codes when considering the choice of, and the installation of these products.

NOTE: Enware Australia advises:

1. Due to ongoing Research and Development, specifications may change without notice.
2. Component specifications may change on some export models.
3. Refer to Warranty Statement for Warranty details [www.enware.com.au/warranty](http://www.enware.com.au/warranty)



Version: Aug 21

Call 1300 369 273  
[www.enware.com.au](http://www.enware.com.au)

Enware Australia Pty Limited  
9 Endeavour Rd Caringbah NSW 2229 Australia  
Ph: 02 8536 4000 [info@enware.com.au](mailto:info@enware.com.au)

