

Bella Inset Shower Bath with tile bead

Product Code: **BE895W**



MADE IN AUSTRALIA

The Bella's compact size makes it water efficient, while its slip resistant surface adds extra safety. Many houses require a shower base that can double as a small bath that can be easily accessible for those less mobile.

- AS/NZ Standard 2023/1995
- Tile bead strip included
- Steel rod reinforced rim
- Double reinforced bath base
- Slip resistant base

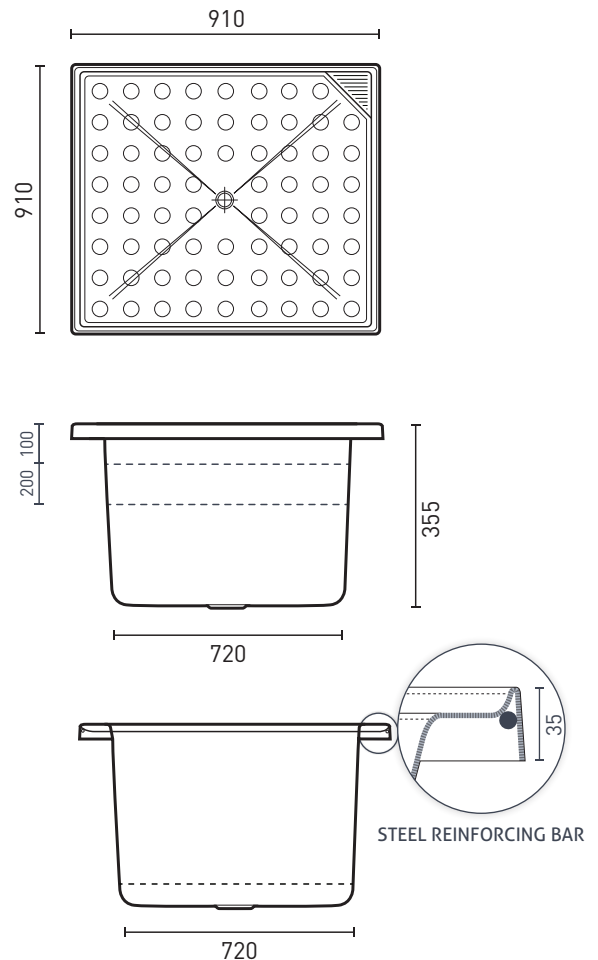


PRODUCT SPECIFICATIONS

| | |
|-----------------|--|
| Colour: | High Gloss White |
| Material: | Premium sanitary grade acrylic |
| Length: | 910mm |
| Width: | 910mm |
| Height: | 335mm |
| Capacity: | 69L [200mm below the bath rim] |
| Bath Type: | Inset |
| Waste Position: | Centre |
| Net Weight: | 13.8kg |
| Warranty: | 15 years* (refer to decina.com.au) |

OPTIONAL ACCESSORIES

Plug & Waste *Various*



DECINA
DISCOVER INDULGENCE

DECINA.COM.AU 1300 DECINA

*Warranty T&Cs apply, visit decina.com.au Decina reserves the right to change specifications without notice. Due to manufacturing tolerances dimensions may vary +/- 5mm. We recommend installation does not start until after delivery. Please confirm all particulars prior to purchase, call 1300 DECINA or visit decina.com.au