

Modena Inset Bath with tile bead



Product Code: **M01210W / M01510W / M01650W / M01800W**

MADE IN AUSTRALIA

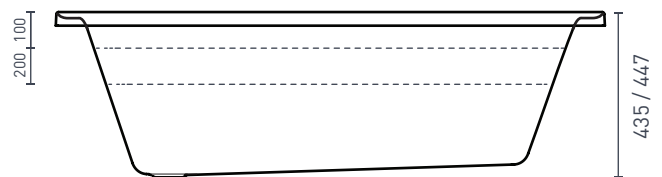
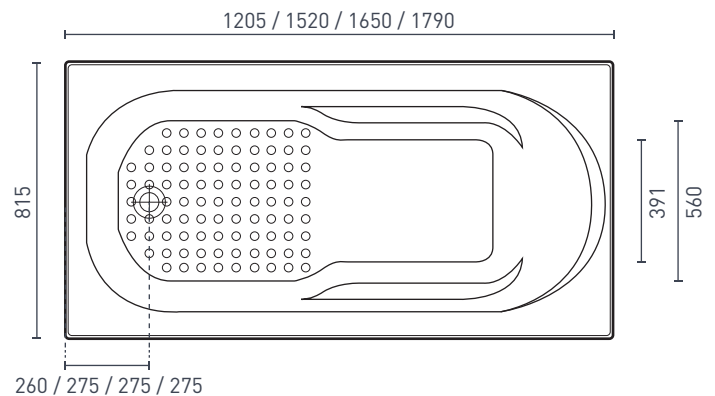
The Modena's increased width & depth makes it larger than many traditional shower baths. Additionally this bath has a slip resistant pattern that provides greater safety when entering & exiting the bath.

- AS/NZ Standard 2023/1995
- Steel rod reinforced rim
- Double reinforced bath base
- Slip resistant pattern



PRODUCT SPECIFICATIONS

| | |
|------------------------|--|
| Colour: | High Gloss White |
| Material: | Premium Sanitary grade acrylic |
| Length: | 1210mm / 1515mm / 1635mm / 1785mm |
| Width: | 815mm |
| Height: | 425mm / 510 |
| Capacity: | 76L / 124L / 159L / 194L [200mm below the bath rim] |
| Bath Type: | Inset |
| Waste Position: | End |
| Net Weight: | 15.1kg / 19.3kg / 22.6kg / 25kg |
| Warranty: | 15 years* (refer to decina.com.au) |



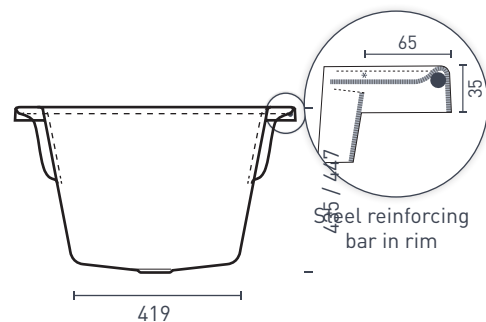
OPTIONAL ACCESSORIES

EZI Frame/Base Support Frame (N/A 1205mm) **Various**

Sia Black Headrest **SY242-B**

Overflow **OWA001/OWA002/OWA003**

Plug & Waste **WA001/WA002/WA003**



DECINA
DISCOVER INDULGENCE

[DECINA.COM.AU](https://decina.com.au) 1300 DECINA

*Warranty T&Cs apply, visit decina.com.au Decina reserves the right to change specifications without notice. Due to manufacturing tolerances dimensions may vary +/- 5mm. We recommend installation does not start until after delivery. Please confirm all particulars prior to purchase, call 1300 DECINA or visit decina.com.au