

# Novara Inset Bath with tile bead [1525 / 1665]



Product Code: **NT1525W / NT1665W / N01650W**

**MADE IN AUSTRALIA**

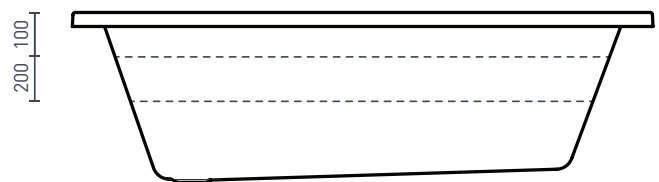
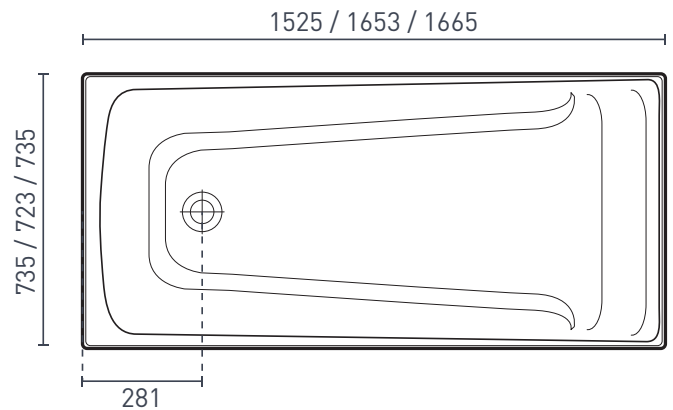
Novara's soft internal lines & generous lumbar area creates the perfect invitation to relax & rejuvenate. Available as an Inset bath with a tile bead or as an Island bath, it also features self-supporting feet for easy installation.

- AS/NZ Standard 2023/1995
- Steel rod reinforced rim
- Double reinforced bath base
- Moulded arm rests



## PRODUCT SPECIFICATIONS

<b>Colour:</b>	High Gloss White
<b>Material:</b>	Premium Sanitary grade acrylic
<b>Length:</b>	1525mm / 1665mm / 1653mm
<b>Width:</b>	735mm / 735mm / 723mm
<b>Height:</b>	447mm / 447mm / 435mm
<b>Capacity:</b>	101L / 114L / 114L [200mm below the bath rim]
<b>Bath Type:</b>	Inset
<b>Waste Position:</b>	End
<b>Net Weight:</b>	16.5kg / 17kg / 17kg
<b>Warranty:</b>	15 years* (refer to decina.com.au)



## OPTIONAL ACCESSORIES

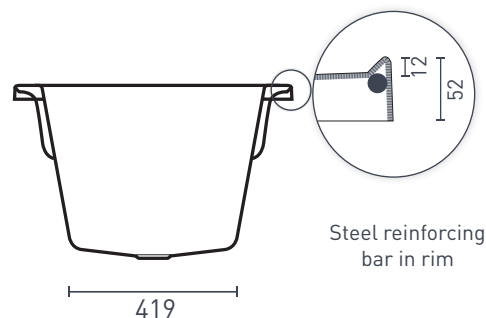
EZI Frame/Base Support Frame **Various**

EZI Feet (1665mm & 1650mm) **EZF005**

Fiore Black Headrest **SY242-A-B**

Overflow **OWA001/OWA002/OWA003**

Plug & Waste **WA001/WA002/WA003**



**DECINA**  
DISCOVER INDULGENCE

[DECINA.COM.AU](https://www.decina.com.au) 1300 DECINA

\*Warranty T&Cs apply, visit [decina.com.au](https://www.decina.com.au) Decina reserves the right to change specifications without notice. Due to manufacturing tolerances dimensions may vary +/- 5mm. We recommend installation does not start until after delivery. Please confirm all particulars prior to purchase, call 1300 DECINA or visit [decina.com.au](https://www.decina.com.au)