

Stella Inset or Island Bath with tile bead



Product Code: **ST1500M / ST1700M**

MADE IN AUSTRALIA

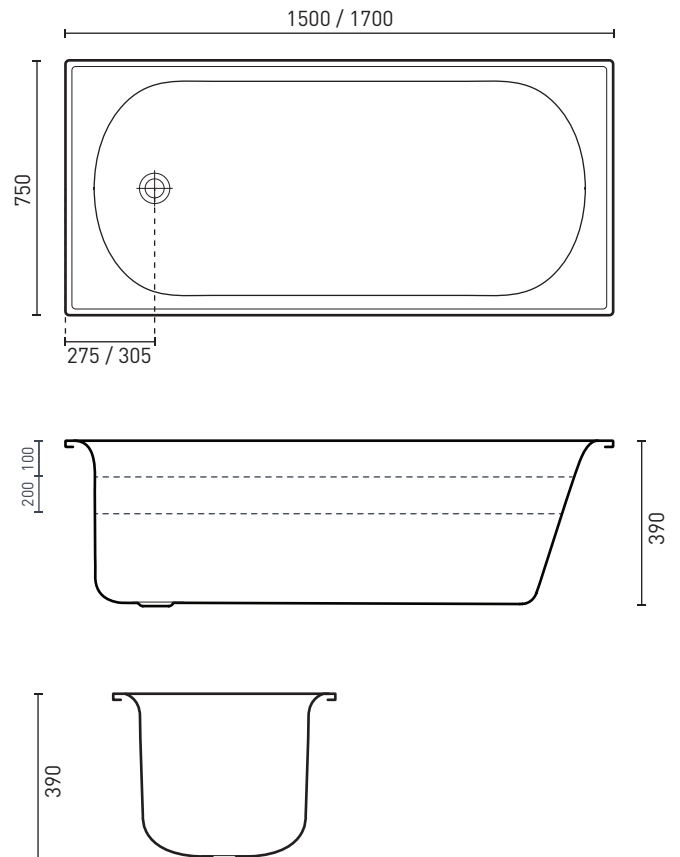
The Stella's scratch resistant, enamel steel fabrication is a stylish & durable alternative to acrylic. This versatile, bath has been designed for either an island or inset installation.

- AS/NZ Standard 2023/1995
- Tile bead strip included
- Non-porous 1.5mm enamel
- Lumbar support



PRODUCT SPECIFICATIONS

Colour:	High Gloss White
Material:	Premium pressed metal
Length:	1500mm / 1700mm
Width:	750mm
Height:	390mm
Capacity:	85L / 95L [200mm below the bath rim]
Bath Type:	Inset or Island
Waste Position:	End
Net Weight:	21kg / 24.2kg
Warranty:	5 years* (refer to decina.com.au)



OPTIONAL ACCESSORIES

Sia Black Headrest **SY242-B**
Plug & Waste **Various**

DECINA
DISCOVER INDULGENCE

DECINA.COM.AU 1300 DECINA

*Warranty T&Cs apply, visit decina.com.au Decina reserves the right to change specifications without notice. Due to manufacturing tolerances dimensions may vary +/- 5mm. We recommend installation does not start until after delivery. Please confirm all particulars prior to purchase, call 1300 DECINA or visit decina.com.au