

Commercial Exclusive: This stainless steel freestanding dishwasher features simple to use electronic controls, and 5 wash programs, including Rapid 30 min wash and an energy saving ECO wash. Enjoy the added benefits of a half load feature and a quiet 52dB(A) noise level.



Product Details

FEATURES

14 place setting

Push-button electronic controls

Rapid 30 wash program

Half load option

Child Lock Mode

The child lock feature can be selected to reduce the possibility of children starting the dishwasher when unattended.

Delay start

The wash programme may be started after a designated amount of time

BENEFITS

Simple to use controls

This dishwasher features a simple push button control with a button for each program.

Saves water

With today's climate challenges, we need to do what we can to save water. That's why we offer 4.5 star WELS water rated dishwashers, so you can make a better choice for your future.

Rapid 30 program

The Rapid 30 program is perfect for light loads or when you are in a hurry.

Delay start

Delay the start of the wash program to suit your lifestyle or take advantage of off-peak electricity rates.

Specifications

PRODUCT PROFILE

| | |
|---------------------------------|---|
| Domestic warranty details (yrs) | 2 |
|---------------------------------|---|

| | |
|---------------------|--------------|
| Type of Dishwashers | freestanding |
|---------------------|--------------|

| | |
|----------------|----|
| Place settings | 14 |
|----------------|----|

| | |
|---------------|-----------------|
| Drying system | residual drying |
|---------------|-----------------|

| | |
|----------------------|---|
| Number of spray arms | 2 |
|----------------------|---|

| | |
|------------|----|
| Top shower | No |
|------------|----|

DIMENSIONS

| | |
|-------------------|-----|
| Total height (mm) | 845 |
|-------------------|-----|

| | |
|------------------|-----|
| Total width (mm) | 598 |
|------------------|-----|

| | |
|------------------|-----|
| Total depth (mm) | 600 |
|------------------|-----|

SPECIFICATION

| | |
|------------------------------|-----|
| Water Efficiency Star Rating | 4.5 |
|------------------------------|-----|

| | |
|--------------------------|--------|
| WELS Registration Number | D02590 |
|--------------------------|--------|

| | |
|----------------------------|------|
| Water consumption (litres) | 12.5 |
|----------------------------|------|

| | |
|-------------------------------|-----|
| Energy Efficiency Star Rating | 3.0 |
|-------------------------------|-----|

| | |
|---|-----|
| Energy consumption cold water (kWhr/yr) | 320 |
|---|-----|

| | |
|-----------------|----|
| Noise level dBA | 52 |
|-----------------|----|

| | |
|--------------|------|
| Water supply | cold |
|--------------|------|

| | |
|---------------|------|
| Basket colour | grey |
|---------------|------|

WASH PROGRAMS

| | |
|--------------------|---|
| Number of Programs | 5 |
|--------------------|---|

| | |
|----------|--|
| Programs | glass,intensive,Eco 50°C,fast 30min,Regular 90 min |
|----------|--|

| | |
|-------------|---------------------|
| Wash option | Half Load,Extra dry |
|-------------|---------------------|

CONTROL PANEL

| | |
|---------------------------|--|
| Control panel type | Push button electronic |
| Top mounted control panel | No |
| Control panel finish | silver |
| Knob or button finish | silver |
| Display indicators | wash program,rinse aid,End,delay start |

EXTERIOR

| | |
|---------------------------|-----------------|
| Door finish | stainless steel |
| Side colour | Silver |
| Plinth colour (kickboard) | Silver |
| Worktop colour | Silver |

LOWER BASKET

| | |
|-----------------------|----------------|
| Lower Basket Features | cutlery basket |
|-----------------------|----------------|

FEATURES

| | |
|------------------------|---|
| Other Features | delay start,child lock on control panel |
| Water safety system | anti-flood protection |
| Filter system | 3 stage |
| Dispenser | detergent,rinse aid |
| Number of spray levels | 2 |

UPPER BASKET

| | |
|-----------------------|-----------------------|
| Upper basket features | adjustable top basket |
| Foldable cup shelves | 1 |

HOSES

| | |
|----------------------------|-----|
| Drain hose length | 160 |
| Inlet hose length (metres) | 1.5 |
| Drain hose length (metres) | 1.4 |

SHIPPING

| | |
|--------------------------------|-----|
| Pack Dimensions Height (mm) | 885 |
|--------------------------------|-----|

| | |
|------------------------------|-----|
| Pack Dimension Width (mm) | 645 |
|------------------------------|-----|

| | |
|------------------------------|-----|
| Pack Dimension Depth (mm) | 645 |
|------------------------------|-----|

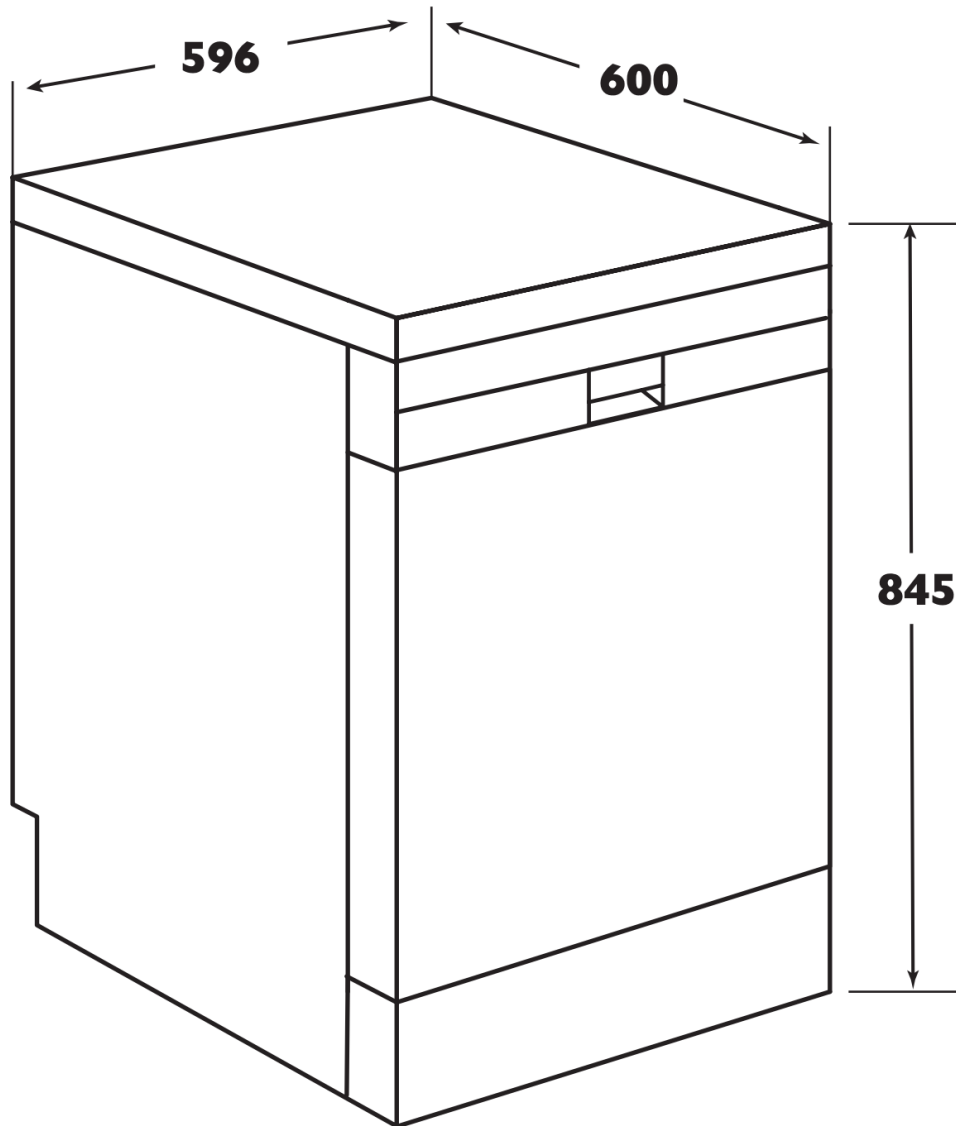
STUFFING QUANTITIES

| | |
|------|----|
| 20ft | 54 |
|------|----|

| | |
|------|-----|
| 40ft | 108 |
|------|-----|

| | |
|---------|-----|
| 40ft HC | 162 |
|---------|-----|

Dimensions



IMPORTANT

These dimensions are a guide only. All measurements are in millimetres (mm).
For complete installation instructions, refer to the manual provided with product.

Terms and Conditions

IMPORTANT

This is a guide of product dimensions only. For complete installation instructions, refer to the manual provided with product.

PRODUCT INFORMATION

The descriptors and illustrations in this publication apply to the specific products and models described as at the date of issue. Under our policy of continuous product development, product specifications may change without notice. Prospective purchasers should therefore check with their retailer to ensure this publication correctly describes the products that are being offered for sale. All information supplied is to be used for general reference purposes only and is on the understanding that Electrolux Home Products Pty Ltd (Australia) and Electrolux (NZ) Ltd (New Zealand) will not be liable for any loss, liability or damage of whatever kind arising as a result of reliance on such information. Colours of products illustrated are as close as printing limitations allow. Electrolux will at all times comply with its obligations pursuant to law including Trade Practices (Australian Consumer Law) Act and Regulations.

WARRANTY

This warranty only applies to Appliances purchased and used in Australia or New Zealand and used in normal domestic applications and is in addition to (and does not exclude, restrict, or modify in any way) any non-excludable statutory warranties in Australia or New Zealand. All warranties are subject to the conditions set out in the warranty card accompanying the product when purchased.

ELECTROLUX HOME PRODUCTS AUSTRALIA

telephone: 1300 363 640

fax: 1800 350 067

email: customercare@electrolux.com.au

web: www.electrolux.com.au

ELECTROLUX HOME PRODUCTS NEW ZEALAND

telephone: 09 573 2230

fax: 09 573 2221

email: customercare@electrolux.co.nz

web: www.electrolux.co.nz