

Aquablend® 1500 Thermostatic Mixing Valve with Thermal Flush

ATM700

Aquablend's technology provides superior control when scald protection is needed most even under changing pressure and temperature conditions, and also at ambient start up.

The proven performance, reliability and low 'whole of life' cost makes Aquablend a popular choice with specifiers, engineers, plumbers and property owners. With the inclusion of the thermal flush feature, maintaining a healthy water service has never been easier.

Suitable for health and general applications. NSW Health approval for use in healthcare in NSW.



KEY FEATURES

- Thermal Flush activation incorporated within the headworks for superior flush capabilities
- Scald and thermal shock protection with rapid thermal shut-off should either the cold or hot water supply fails
- Highly responsive temperature control, maintaining outlet temperature within +/- 2°C under changing inlet temperature and pressure conditions
- Delivers excellent flow, operating at a minimum pressure of 20kPa
- Supplied complete with isolating valves, non-return valves and dual stage strainers incorporating temperature/ pressure test ports
- Flexible installation - can be upside down or sideways, inlet and outlet connections may be rotated to suit pipework design
- Standards licensed to AS4032.1 - Thermostatic Mixing Valves

PRODUCT CODES

ATM700	Aquablend 1500 Thermostatic Mixing Valve 15mm MI Inlet 25mm MI Outlet with 15mm or 20mm MI Adaptor
--------	--

OPTIONS

- In Lockable Stainless Steel Cabinet & Lid
- Smart Flow® TMV Monitoring and Control System

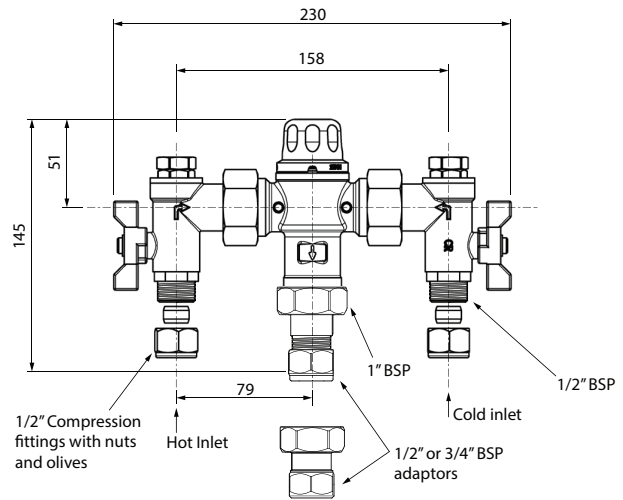
For more options see below or contact your Enware representative

Version 3.0__25May22

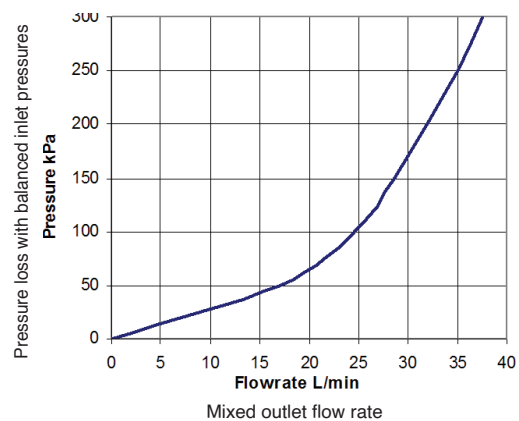
Aquablend® 1500 Thermostatic Mixing Valve with Thermal Flush

TECHNICAL INFORMATION

Thermostatic Temperature Range	Min 35°C Max 48°C (+/- 2°C) Set during installation/ commissioning
Dynamic Inlet Pressures *	Min 20 kPa Max 500 kPa 10% maximum dynamic pressure differential between hot and cold supplies
Static Inlet Pressures	Max. 1600kPa For testing purposes/ system commissioning
Hot Temperature Supply Range	Min 55°C Max 90°C
Cold Temperature Supply Range	Min 5°C Max 30°C [^]
Minimum Temperature Differential	10°C Between hot or cold supply and outlet mix temperature, required to ensure correct function of valve
Inlet Pressure Ratio *	H - PL = H ¹ C - PL = C ¹ H ¹ : C ¹ = Max 10:1 C ¹ : H ¹ = Max 10:1 H = Hot inlet pressure C = Cold inlet pressure PL = Pressure Loss
Inlet Size	1/2" compression nuts
Outlet Size	1" complete with 1" x 1/2" and 1" x 3/4" BSP adaptors
Flow Rates	Min. 2 L/min (4 L/min recommended for optimum performance) Max. 39 L/min @300 kPa pressure loss as per Flow Sizing Graph



HEADLOSS CHARACTERISTICS OF AQUABLEND 1500



*AS3500.4 clause 1.9.4.2 - The dynamic pressure differential between hot and cold supplies when mixed at a thermostatic mixing valve shall not exceed 10%.

[^] Where cold inlet temperature may exceed recommended range due to seasonal variation, a 5°C temperature differential between the inlet cold supply and outlet mixed temperature setting must be maintained.

Enware products are to be installed in accordance with the Plumbing Code of Australia and AS/NZS3500. Reference should also be made to the Australasian Health facility Guidelines (AHFG), ABCB and Local Government regulations when considering the choice of, and the installation of these products.


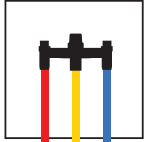
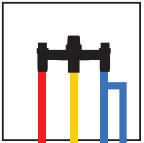
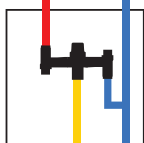
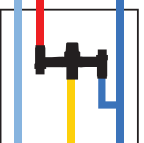
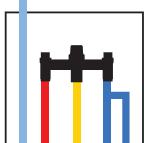
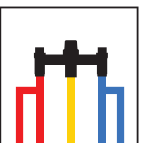
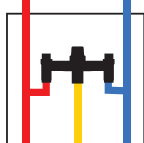
Enware Australia advises:

1. Due to ongoing Research and Development, specifications may change without notice. 2. Component specifications may change on some export models. 3. Refer to warranty statement for warranty details - www.enware.com.au/warranty

Version 3.0__25May22

Aquablend® 1500 Thermostatic Mixing Valve with Thermal Flush in Stainless Steel Cabinet

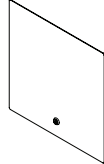
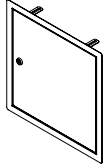
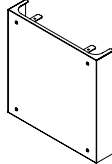
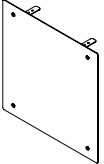
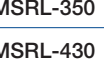
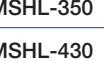
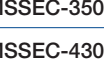
TMV CABINET CONFIGURATIONS

<p>TMV + Cabinet</p>  <p>ATMS700VC-350 ATMS700VCSF-350 ATMS700VCPRV-430 ATMS700VCPRVSF-430</p>	<p>3 Pipe Cabinet</p>  <p>ATMS700-350 ATMS700R-350 * ATMS700H-350 ** ATMS700SF-350 ATMS700PRV-430 ATMS700PRVSF-430</p>
<p>4 Pipe Cabinet</p>  <p>ATMS719-350 ATMS719R-350 * ATMS719H-350 ** ATMS719SF-350 ATMS719PRVSF-430 ATMS719PRV-430</p>	<p>4 Pipe Cabinet</p>  <p>ATMS718-350 ATMS718SF-350 ATMS718-HLGPO ^</p>
<p>4 Pipe Cabinet + RW</p>  <p>ATMS718RW-350 ATMS718RWSF-350</p>	<p>4 Pipe Cabinet + RW</p>  <p>ATMS719RW-350 ATMS719RWSF-350 ATMS719PRVRW-430 ATMS719PRVRWSF-430</p>
<p>5 Pipe Cabinet</p>  <p>ATMS750-350 ATMS750PRV-430 ATMS750PRVSF-430 ATMS750SF-350</p>	<p>5 Pipe Cabinet</p>  <p>ATMS751-350 ATMS751SF-350</p>

- PRV** = Pressure reduction valves (500kPa on hot & cold inlets)
- SF** = Smartflow mix chamber and probe fitted
- RW** = Additional pipe and isolation valve
- * = Complete with Recess Lid (brushed finish S/S)
- ** = Complete with Hinged Lid (brushed finish S/S)

- VC** = TMV and cabinet only
- 350** = 350 mm x 350 mm square cabinet
- 430** = 430 mm W x 500 mm H cabinet
- ^** = With hinged lid and power point in 590 x 550mm cabinet



CABINET LID TYPES		(Stainless Steel Brushed Finish)		
	Recess Lid #	Hinged Lid #	Exposed Lid #	Recess Lid with Security Torx Screws
350mm	 ATMSRL-350	 ATMSHL-350	 ATMSXP-350	 ATMSSEC-350
430mm	 ATMSRL-430	 ATMSHL-430		 ATMSSEC-430

= Powder coat option available

Version 3.0_25May22